

DisplayPort™ 1:1 Re-Driver with Link Training

Check for Samples: [SN75DP130](#)

FEATURES

- Supports DP v1.1a and DP v1.2 Signaling Including HBR2 Data Rates to 5.4Gbps
- Supports HDMI 1.4a with TMDS Clock Frequencies up to 340MHz
- Glue-Less interface to AMD, Intel, and NVIDIA Graphics Processors
- Auto-Configuration Through Link Training
- Output Signal Conditioning with Tunable Voltage Swing and Pre-Emphasis Gain
- Highly Configurable Input Variable Equalizer
- Two Device Options Including a Dual Power Supply Configuration for Lowest Power
- 2kV ESD HBM Protection
- Temperature Range: 0°C to 85°C
- 48 Pin 7mm × 7mm QFN Package

APPLICATIONS

- Notebook PC
- Desktop PC
- PC Docking Station
- PC Standalone Video Card



DESCRIPTION

The SN75DP130 is a single channel DisplayPort™ (DP) re-driver that regenerates the DP high speed digital link. The device complies with the VESA DisplayPort Standard Version 1.2, and supports a four lane Main Link interface signaling up to HBR2 rates at 5.4Gbps per lane, and supports DP++ Dual-Mode; offering TMDS signaling for DVI and full HDMI Version 1.4a support.

The device compensates for PCB related frequency loss and switching related loss to provide the optimum DP electrical performance from source to sink. The Main Link signal inputs feature configurable equalizers with selectable boost settings. At the Main Link output, four primary levels of differential output voltage swing (VOD) and four primary levels of pre-emphasis are available, as well as a secondary level of boost adjustment, programmed through I²C, for fine-tuning the Main Link output. The device can monitor the AUX channel and automatically adjust the output signaling levels and input equalizers in response to Link Training commands. Additionally, the SN75DP130 output signal conditioning and EQ parameters are fully programmable through the I²C interface.

The SN75DP130 offers separate AUX and DDC source interfaces that connect to a single AUX sink channel. This minimizes component count when implemented with a graphics processor (GPU) comprising separate DDC and AUX interfaces. For GPUs with combined DDC/AUX, the device can operate as a FET switch to short circuit the AUX channel AC coupling caps while connected to a TMDS sink device. Other sideband circuits such as Hot Plug Detect (HPD) are optimized to reduce external components, providing a seamless connection to Intel, AMD, and NVIDIA graphics processors.

The SN75DP130 is optimized for mobile applications, and contains activity detection circuitry on the Main Link input that transitions to a low-power Output Disable mode in the absence of a valid input signal. Other low power modes are supported, including a Standby mode with typical dissipation of ~2mW when no video sink (e.g., monitor) is connected.

The device is characterized for an extended operational temperature range from 0°C to 85°C.



Please be aware that an important notice concerning availability, standard warranty, and use in critical applications of Texas Instruments semiconductor products and disclaimers thereto appears at the end of this data sheet.

DisplayPort is a trademark of VESA Standards Association.



These devices have limited built-in ESD protection. The leads should be shorted together or the device placed in conductive foam during storage or handling to prevent electrostatic damage to the MOS gates.

TYPICAL IMPLEMENTATIONS

The configuration shown in **Figure 1** supports a GPU with unified AUX/DDC interfaces. This circuit provides back current protection into the GPU AUX, HPD, and CAD inputs.

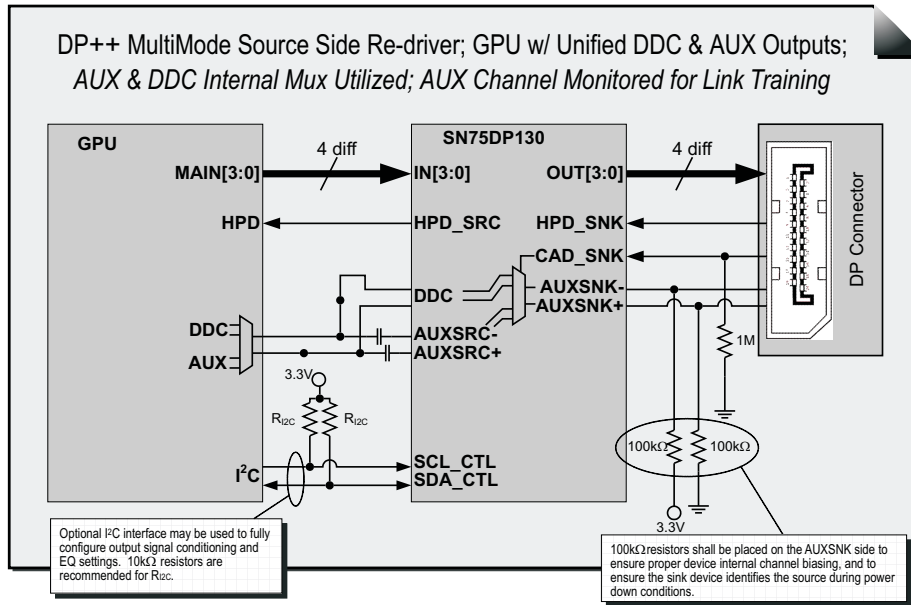


Figure 1. DP++ Dual-Mode in a Unified AUX/DDC Configuration

The configuration shown in **Figure 2** supports a GPU with separate DDC and AUX interfaces, and overcomes the need for an external AUX to DDC switch. This circuit provides back current protection into the GPU AUX, HPD, and CAD inputs.

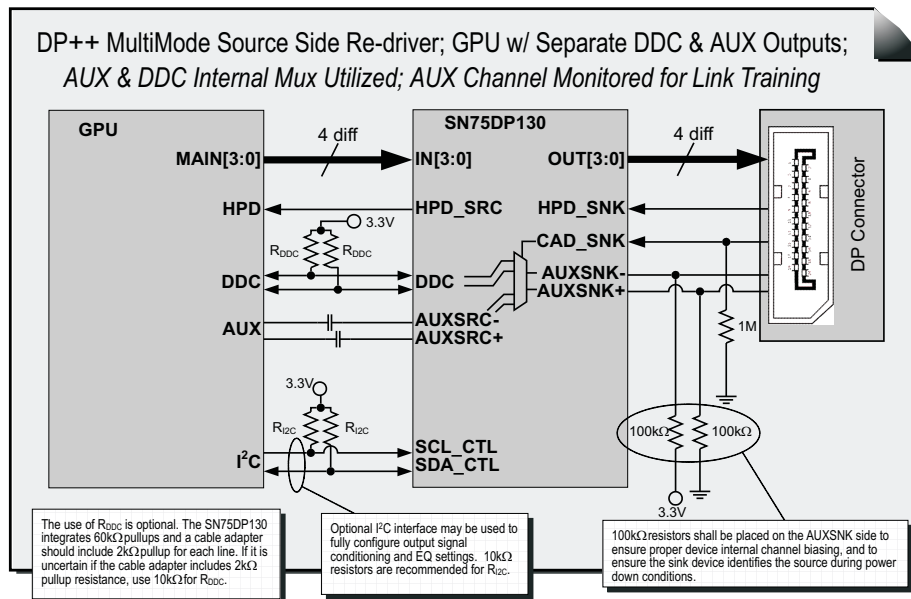
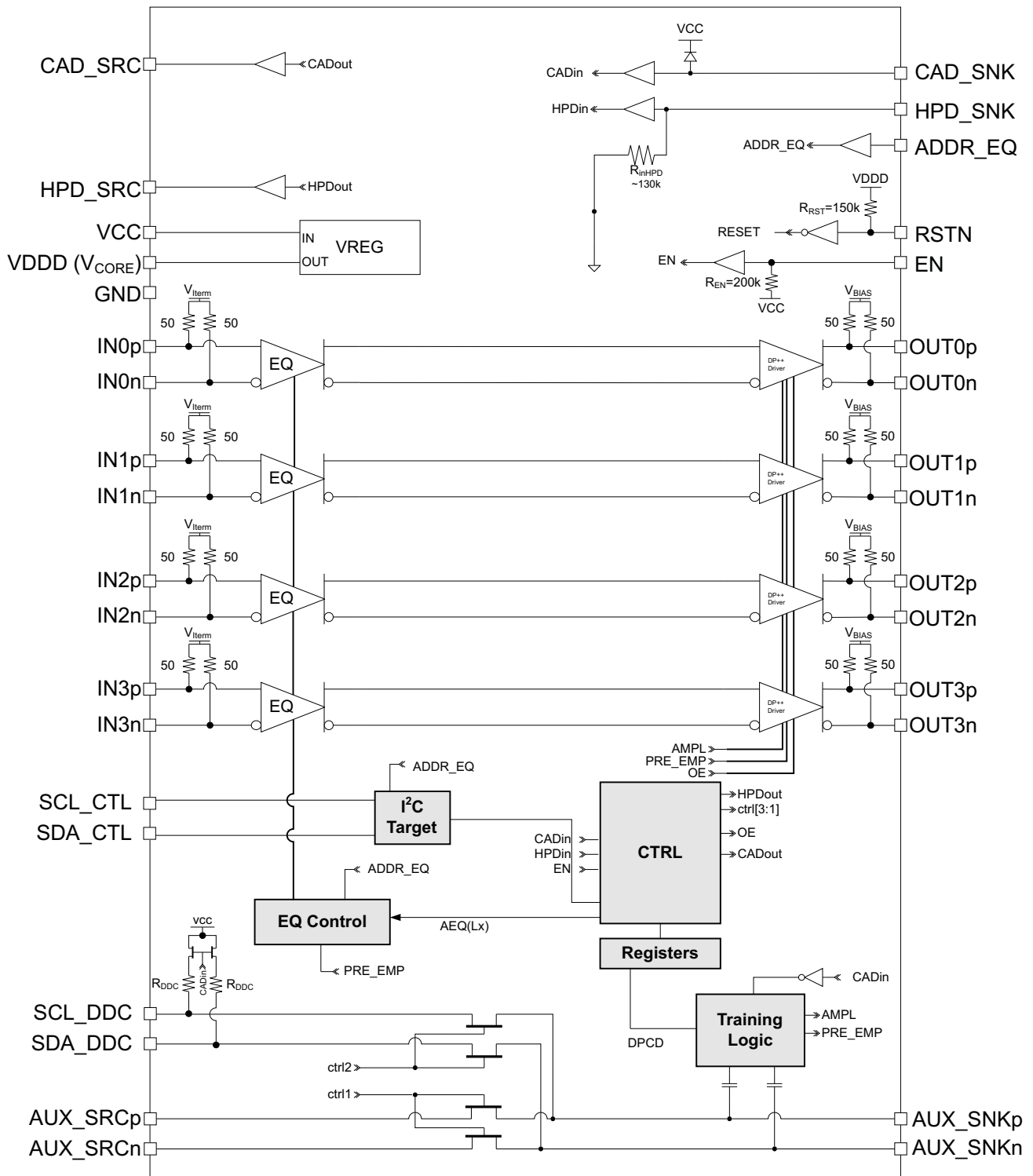


Figure 2. DP++ Dual-Mode in a Split AUX and DDC Configuration

BLOCK DIAGRAM



TERMINAL ASSIGNMENTS

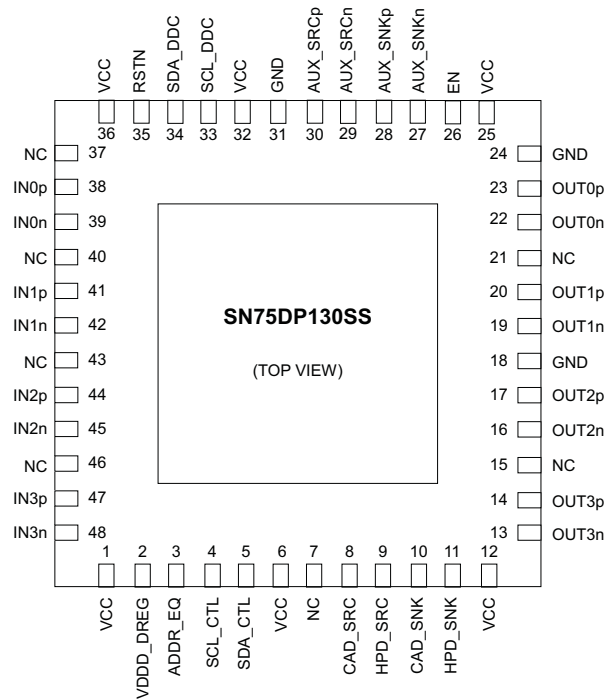


Figure 3. SN75DP130SS Single Supply

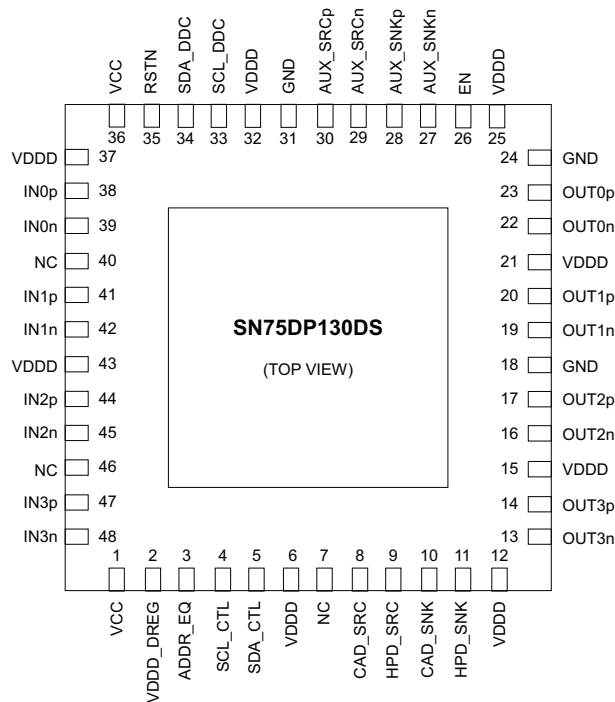


Figure 4. SN75DP130DS Dual Supply

PIN FUNCTIONS

PIN		I/O	DESCRIPTION
NAME	NO.		
MAIN LINK TERMINALS			
IN0p, IN0n	38, 39	Input (100Ω diff)	DisplayPort Main Link Lane 0 Differential Input
IN1p, IN1n	41, 42		DisplayPort Main Link Lane 1 Differential Input
IN2p, IN2n	44, 45		DisplayPort Main Link Lane 2 Differential Input
IN3p, IN3n	47, 48		DisplayPort Main Link Lane 3 Differential Input
OUT0p, OUT0n	23, 22	Output (100Ω diff)	DisplayPort Main Link Lane 0 Differential Output
OUT1p, OUT1n	20, 19		DisplayPort Main Link Lane 1 Differential Output
OUT2p, OUT2n	17, 16		DisplayPort Main Link Lane 2 Differential Output
OUT3p, OUT3n	14, 13		DisplayPort Main Link Lane 3 Differential Output
AUX CHANNEL AND DDC DATA TERMINALS			
AUX_SRCp, AUX_SRCn	30, 29	I/O (100Ω diff)	Source Side Bidirectional DisplayPort Auxiliary Data Channel. If the AUX_SNK channel is used for monitoring only, these signals are not used and may be left open.
AUX_SNKp, AUX_SNKn	28, 27	I/O (100Ω diff)	Sink Side Bidirectional DisplayPort Auxiliary Data Channel.
SCL_DDC, SDA_DDC	33, 34	I/O	Bidirectional I ² C Display Data Channel (DDC) for TMDS mode. These signals may be utilized together with AUX_SNK to form a FET switch to short-circuit the AC coupling capacitors during TMDS operation in a DP++ Dual-Mode configuration. These terminals include integrated 60 kΩ pull-up resistors
HPD, CAD, and CONTROL TERMINALS			
HPD_SRC	9	O	Hot Plug Detect Output to the DisplayPort Source.
HPD_SNK	11	I	DisplayPort Hot Plug Detect Input from Sink. This device input is 5V tolerant. <i>Note: Pull this input high during compliance testing or use I²C control interface to go into compliance test mode and control HPD_SNK and HPD_SRC by software.</i>
CAD_SRC	8	O	DP Cable Adapter Detect Output. This output typically drives the GPU CAD input.
CAD_SNK	10	I	DisplayPort Cable Adapter Detect Input. This input tolerates a 5V supply with a supply impedance higher than 90kΩ. A device internal zener diode limits the input voltage to 3.3V. An external 1MΩ resistor to GND is recommended. This terminal is used to select DP mode or TMDS mode in a DP++ Dual-Mode application.
SCL_CTL, SDA_CTL	4, 5	I/O	Bidirectional I ² C interface to configure the SN75DP130. This interface is active independent of the EN input but inactive when RSTN is low.
RSTN	35	I	Active Low Device Reset. This input includes a 150kΩ resistor to the VDDD core supply. An external capacitor to GND is recommended on the RSTN input to provide a power-up delay. This signal is used to place the SN75DP130 into Shutdown mode for the lowest power consumption. When the RSTN input is asserted, all outputs (excluding HPD_SRC and CAD_SRC) are high-impedance, and inputs (excluding HPD_SNK and CAD_SNK) are ignored; all I ² C and DPCD registers are reset to their default values. At power up, the RSTN input must not be de-asserted until the VCC and VDDD supplies have reached at least the minimum recommended supply voltage level.
EN	26	I	Device Enable. This input incorporates an internal pullup of 200kΩ.
ADDR_EQ	3	3-level Input	I ² C Target Address Select and EQ Configuration Input. If the I ² C bus is used, this input setting selects the I ² C target address, as described in Table 7 . This input also configures the input EQ to the device, as described in Table 5 .
SUPPLY AND GROUND TERMINALS			
VDDD	SN75DP130DS 6, 12, 15, 21, 25, 32, 37, 43		Digital low voltage core and Main Link supply for SN75DP130DS device option. Nominally 1.1V.
VCC	SN75DP130SS 1, 6, 12, 25, 32, 36		3.3V Supply
	SN75DP130DS 1, 36		

PIN FUNCTIONS (continued)

PIN		I/O	DESCRIPTION
NAME	NO.		
VDDD_DREG	2		SN75DP130SS: Digital voltage regulator decoupling; install 1 μ F to GND. SN75DP130DS: Treat same as VDDD; this pin will be most noisy of all VDDD terminals and needs a de-coupling capacitor nearby.
GND	18, 24, 31, and Exposed Thermal Pad		Ground. Reference GND connections include the device package exposed thermal pad.
NC	SN75DP130SS 7, 15, 21, 37, 40, 43, 46 SN75DP130DS 7, 40, 46		No Connect. These terminals may be left unconnected, or connect to GND.

ORDERING INFORMATION⁽¹⁾

PART NUMBER	PART MARKING	PACKAGE
SN75DP130DSRGZR	DP130DS	48-pin QFN reel
SN75DP130SSRGZR	DP130SS	48-pin QFN reel
SN75DP130DSRGZT	DP130DS	48-pin QFN small quantity tape
SN75DP130SSRGZT	DP130SS	48-pin QFN small quantity tape

(1) For the most current package and ordering information, see the Package Option Addendum at the end of this document, or see the TI web site at www.ti.com.

ABSOLUTE MAXIMUM RATINGS

over operating free-air temperature range (unless otherwise noted) ⁽¹⁾

		VALUE	UNIT	
Supply voltage range	V _{CC}	-0.3 to 4.0	V	
	V _{DDD} , V _{DDD_DREG}	-0.3 to 1.3	V	
Voltage range	Main link I/O differential voltage	-0.3 to 1.3	V	
	HPD_SNK	-0.3 to 5.5	V	
	All other terminals	-0.3 to 4	V	
Storage temperature	T _S	-65 to 150	°C	
Electrostatic discharge	Human Body Model ⁽²⁾	Main Link I/O, AUX_SNK, HPD_SNK, CAD_SNK	±2	kV
		All Other Terminals	±2	kV
	Charged-device model ⁽³⁾	±500	V	

(1) Stresses beyond those listed under absolute maximum ratings may cause permanent damage to the device. These are stress ratings only and functional operation of the device at these or any conditions beyond those indicated under recommended operating conditions is not implied. Exposure to absolute-maximum-rated conditions for extended periods may affect device reliability.

(2) Tested in accordance with JEDEC Standard 22, Test Method A114-B

(3) Tested in accordance with JEDEC Standard 22, Test Method C101-A

THERMAL INFORMATION

THERMAL METRIC ⁽¹⁾		SN75DP130	UNITS
		QFN (48) PINS	
θ_{JA}	Junction-to-ambient thermal resistance	35.1	°C/W
θ_{JCTop}	Junction-to-case (top) thermal resistance	21.5	
θ_{JB}	Junction-to-board thermal resistance	11.7	
Ψ_{JT}	Junction-to-top characterization parameter, high-k board	1.2	
Ψ_{JB}	Junction-to-board characterization parameter, high-k board	11.9	
θ_{JCbott}	Junction-to-case (bottom) thermal resistance	6.7	

(1) For more information about traditional and new thermal metrics, see the *IC Package Thermal Metrics* application report, [SPRA953](http://www.ti.com/lit/zip/spra953).

POWER DISSIPATION

PARAMETER		TEST CONDITIONS ⁽¹⁾	MIN	TYP	MAX	UNIT
P _N	Device power under normal operation	SN75DP130SS; 4 DP Lanes.		468	828	mW
		SN75DP130DS; 4 DP Lanes.		172	304	mW
P _{SD}	Shutdown mode power dissipation	SN75DP130SS; 4 DP Lanes.			14.4	mW
		SN75DP130DS; 4 DP Lanes.			7.2	mW
P _{SBY}	Standby mode power dissipation	SN75DP130SS; 4 DP Lanes.			14.4	mW
		SN75DP130DS; 4 DP Lanes.			7.2	mW
P _{D3}	D3 power down mode dissipation	SN75DP130SS; 4 DP Lanes.			54	mW
		SN75DP130DS; 4 DP Lanes.			46	mW
P _{OD}	Output disable (squelch) mode current	SN75DP130SS; 4 DP Lanes.		126	180	mW
		SN75DP130DS; 4 DP Lanes.		58	88	mW

(1) Test conditions correspond to Power Supply test conditions in Electrical Characteristics

RECOMMENDED OPERATING CONDITIONS

			MIN	NOM	MAX	UNIT
V _{CC}	Supply voltage		3	3.3	3.6	V
V _{DDD}	Digital core and Main Link supply voltage		0.97	1.05	1.2	V
T _A	Operating free-air temperature		0		85	°C
T _{CASE}	Case temperature				103.1	°C
V _{IH(HPD)}	High-level input voltage HPD_SNK		1.9		5.5	V
V _{IH}	High-level input voltage for device control signals		1.9		3.6	V
V _{IL}	Low-level input voltage for device control signals		0		0.8	V
MAIN LINK TERMINALS						
V _{ID}	Peak-to-peak input differential voltage; RBR, HBR, HBR2		0.30		1.40	V _{pp}
d _R	Data rate				5.4	Gbps
C _{AC}	AC coupling capacitance (each input and each output line)		75		200	nF
R _{tdiff}	Differential output termination resistance		80	100	120	Ω
V _{Oterm}	Output termination voltage (AC coupled)		0		2	V
t _{SK(in HBR2)}	Intra-pair skew at the input at 5.4Gbps	When used as re-driver in DP source			20	ps
		When used as receiver equalizer in DP sink			100	
t _{SK(in HBR)}	Intra-pair skew at the input at 2.7Gbps				100	ps
t _{SK(in RBR)}	Intra-pair skew at the input at 1.62Gbps				300	ps
AUX CHANNEL DATA TERMINALS						
V _{I-DC}	DC input voltage	AUX_SRCp and AUX_SNKp in DP mode	-0.5	0.3	0.4	V
		AUX_SRCn and AUX_SNKn in DP mode	2.0	3.0	3.6	
		AUX_SRCp/n and AUX_SNKp/n in TMDS mode	-0.5		3.6	
V _{ID}	Differential input voltage amplitude (DP mode only)		300		1400	mV _{PP}
d _{R(AUX)}	Data rate (before Manchester encoding)		0.8	1	1.2	Mbps
d _{R(FAUX)}	Data rate Fast AUX (300ppm frequency tolerance)			720		Mbps
t _{jccin_adj}	Cycle-to-cycle AUX input jitter adjacent cycle (DP mode only)				0.05	UI
t _{jccin}	Cycle-to-cycle AUX input jitter within one cycle (DP mode only)				0.1	UI
C _{AC}	AUX AC coupling capacitance (DP mode only)		75		200	nF
V _{srcCMM}	AUX source common mode voltage (only applies to DP mode) CAD = V _{IL} ; measured on AUX source and sink before AC coupling caps		0		2000	mV
DDC AND I²C TERMINALS						
V _I	Input voltage		-0.5		3.6	V
d _R	Data rate				100	kbps
V _{IH}	High-level input voltage		0.7V _{CC}			V
V _{IL}	Low-level input voltage				0.3V _{CC}	V

RECOMMENDED OPERATING CONDITIONS (continued)

		MIN	NOM	MAX	UNIT
f_{SCL}	SCL clock frequency standard I ² C mode			100	kHz
$t_{w(L)}$	SCL clock low period standard I ² C mode	4.7			μs
$t_{w(H)}$	SCL clock high period standard I ² C mode	4.0			μs
C_{bus}	Total capacitive load for each bus line			400	pF

POWER SUPPLY ELECTRICAL CHARACTERISTICS

over recommended operating conditions (unless otherwise noted)

PARAMETER ⁽¹⁾		TEST CONDITIONS	MIN	TYP	MAX	UNIT
$I_{CCDP1HBR2}$	Supply Current 1 DP Lanes	Maximum conditions: IN/OUT at 5.4Gbps		40	70	mA
$I_{CCDP2HBR2}$	Supply Current 2 DP Lanes	PRBS, $V_{OD} = 510mV_{pp}$, $P_E = 6dB$; AUX at 1Mbps		70	125	mA
$I_{CCDP4HBR2}$	Supply Current 4 DP Lanes	PRBS, $V_{ID} = 1000mV_{pp}$; EQ = 3dB Typical Conditions: IN/OUT at 5.4Gbps PRBS, $V_{OD} = 510mV_{pp}$, $P_E = 0dB$ AUX and I ² C Idle; EQ = 3dB		130	230	mA
$I_{CCDP1HBR}$	Supply Current 1 DP Lanes	Main Link at 2.7Gbps PRBS, $V_{OD} = 510mV_{pp}$, $P_E = 0dB$; AUX and I ² C Idle; EQ at 3dB fixed gain		40		mA
$I_{CCDP2HBR}$	Supply Current 2 DP Lanes			70		mA
$I_{CCDP4HBR}$	Supply Current 4 DP Lanes			130		mA
I_{CCTMDS}	Supply Current TMDS Mode	Main Link at 2.5Gbps PRBS, $V_{ID} = V_{OD} = 600mV_{pp}$; AUX Idle			170	mA
I_{SD}	Shutdown supply current	Shutdown mode		3	4	mA
I_{SBY}	Standby supply current	Standby mode		3	4	mA
I_{D3}	D3 supply current	D3 power down mode		10	15	mA
I_{OD}	Squeech supply current	Output disable (Squeech) mode		35	50	mA

(1) Values are V_{DD} supply measurements; V_{CC} supply (DS package option) measurements are 5mA (typical) and 8mA (max), with zero current in shutdown and standby modes.

MAIN LINK ELECTRICAL CHARACTERISTICS

over recommended operating conditions (unless otherwise noted)

PARAMETER		TEST CONDITIONS	MIN	TYP	MAX	UNIT
$V_{OD(L0)}$	Output differential voltage swing	$V_{PRE(L0)}$; 675Mbps D10.2 Test Pattern; BOOST=01	238	340	442	mV _{PP}
$V_{OD(L1)}$			357	510	663	mV _{PP}
$V_{OD(L2)}$			484	690	897	mV _{PP}
$V_{OD(L3)}$			700	1000	1300	mV _{PP}
$V_{OD(TMDS)}$			675Mbps D10.2 Test Pattern; BOOST=01	420	600	780
$\Delta V_{OD(L0L1)}$	Output peak-to-peak differential voltage delta	$\Delta V_{ODn} = 20 \times \log(V_{ODL(n+1)} / V_{ODL(n)})$ measured in compliance with PHY CTS1.1D15 section 3.2 at test point TP2 using special CTS test board	1.7	3.5	5.3	dB
$\Delta V_{OD(L1L2)}$			1.6	2.5	3.5	dB
$\Delta V_{OD(L2L3)}$			0.8	3.5	6.0	dB
$V_{PRE(L0)}$	Driver output pre-emphasis (default)	All V_{OD} options		0	0.25	dB
$V_{PRE(L1)}$		$V_{OD} = V_{OD(L0)}$, $V_{OD(L1)}$, or $V_{OD(L2)}$; BOOST=01		3.5		dB
$V_{PRE(L2)}$		$V_{OD} = V_{OD(L0)}$ or $V_{OD(L1)}$; BOOST=01		6.0		dB
$V_{PRE(L3)}$		$V_{OD} = V_{OD(L0)}$; BOOST=01		9.5		dB
$V_{PRE(BOOST)}$	Output V_{PRE} boost	BOOST=10		10%		dB
		BOOST=00		-10%		dB
$\Delta V_{PRE(L1L0)}$	Pre-emphasis delta	Measured in compliance with PHY CTS1.1D15 section 3.3 at test point TP2 using special CTS test board	2.0			dB
$\Delta V_{PRE(L2L1)}$			1.6			dB
$\Delta V_{PRE(L3L2)}$			1.6			dB
$\Delta V_{ConsBit}$	Non-transition bit voltage variation	See CTS spec section 3.3.5			30%	

MAIN LINK ELECTRICAL CHARACTERISTICS (continued)

over recommended operating conditions (unless otherwise noted)

PARAMETER		TEST CONDITIONS	MIN	TYP	MAX	UNIT
$A_{EQ(HBR)}$	Equalizer gain for RBR/HBR	See Table 5 and Table 8 for EQ setting details; Max value represents the typical value for the maximum configurable EQ setting			9	dB
$A_{EQ(HBR2)}$	Equalizer gain for HBR2				18	dB
$A_{EQ(TMDS)}$	Equalizer gain for TMDS				3	dB
R_{OUT}	Driver output impedance			50	Ω	
R_{IN}	Input termination impedance		40	50	60	Ω
V_{Term}	Input termination voltage	AC coupled; self-biased	0		2	V
$V_{OCM(SS)}$	Steady state output common-mode voltage		0		2	V
$\Delta V_{OCM(SS)}$	Change in steady state output common-mode voltage between logic levels	Tested in compliance to section 3.10 in CTS 1.1a		10		mV _{PP}
$V_{OCM(PP)}$	Output common-mode noise	HBR2		20		mV _{RMS}
					30	
$V_{SQUELCH}$	Squelch threshold voltage	Programmable via I ² C; default at 80mVpp typical		80		mV _{PP}
$I_{TXSHORT}$	Short circuit current limit	Main Link outputs shorted to GND			50	mA

MAIN LINK SWITCHING CHARACTERISTICS

over recommended operating conditions (unless otherwise noted)

PARAMETER		TEST CONDITIONS	MIN	TYP	MAX	UNIT
t_{PD}	Propagation delay time	See Figure 5		300		ps
$t_{SK(1)}$	Intra-pair output skew	Signal input skew = 0ps; $d_R = 2.7\text{Gbps}$, $V_{PRE} = 0\text{dB}$, 800mVp-p, D10.2 clock pattern at device input; See Figure 6			20	ps
$t_{SK(2)}$	Inter-pair output skew				100	ps
Δt_{jit}	Total peak-to-peak residual jitter	$V_{OD(L0)}$; $V_{PRE(L0)}$; EQ = 8dB; clean source; minimum input and output cabling; 1.62Gbps, 2.7Gbps, and 5.4Gbps PRBS7 data pattern.			15	ps
t_{sq_enter}	Squelch entry time	Time from active DP signal turned off to ML output off with noise floor minimized	10		120	μs
t_{sq_exit}	Squelch exit time	Time from DP signal on to ML output on	0		1	μs

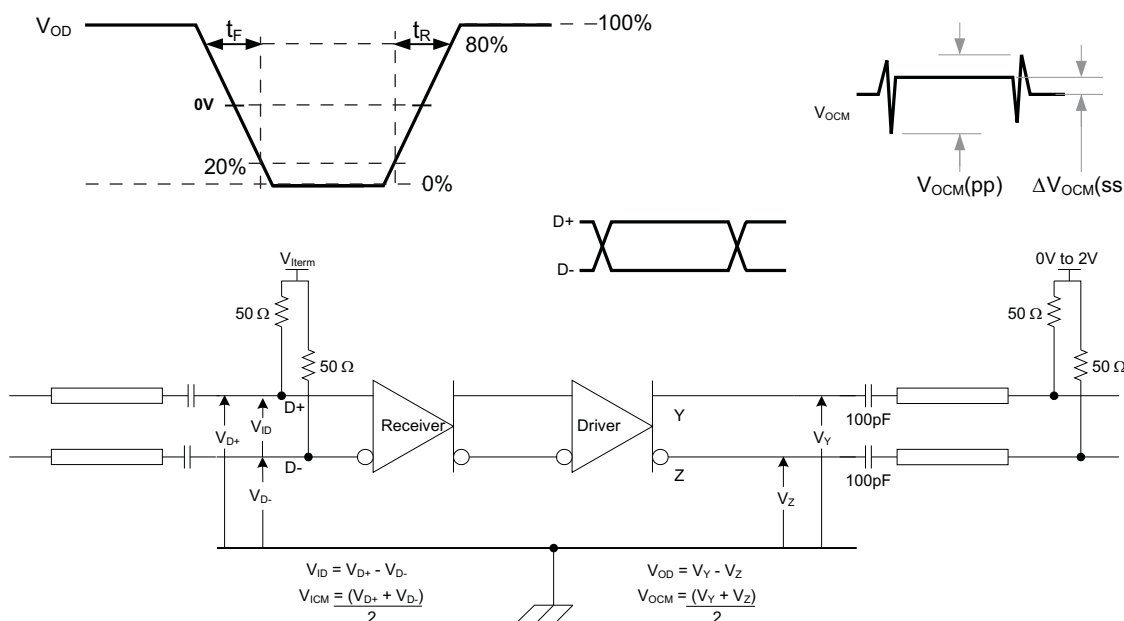


Figure 5. Main Link Test Circuit

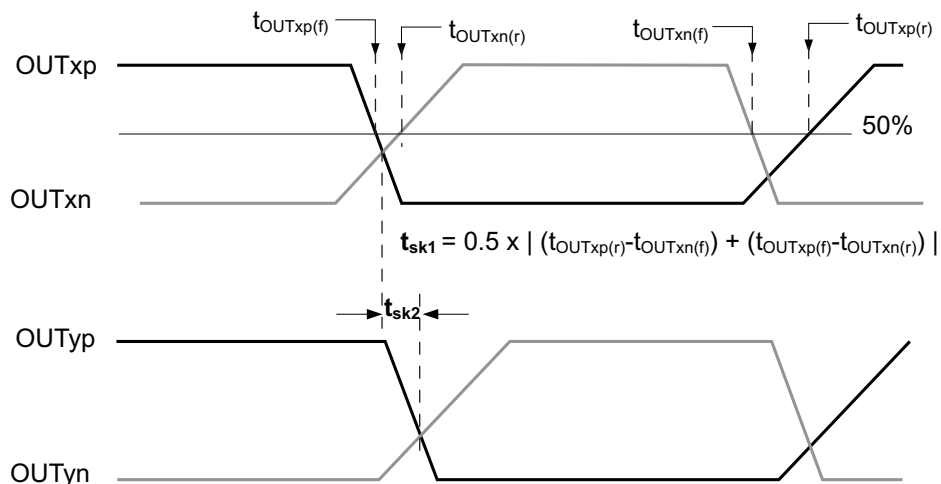


Figure 6. Main Link Skew Measurements

HPD/CAD ELECTRICAL CHARACTERISTICS

over recommended operating conditions (unless otherwise noted)

PARAMETER		TEST CONDITIONS	MIN	TYP	MAX	UNIT
HPD_SRC, CAD_SRC						
V _{OH}	High-level output voltage	I _{OH} = 500μA	2.7		3.6	V
V _{OL}	Low-level output voltage	I _{OH} = 500μA	0		0.1	V
R _{outCAD}	CAD series output resistance ⁽¹⁾	EN=RSTN=V _{CC} ; HPD_SNK=CAD_SNK=V _{CC}		150		Ω
R _{outHPD}	HPD series output resistance	EN=RSTN=V _{CC} ; HPD_SNK=CAD_SNK=V _{CC}		150		Ω
I _{LEAK}	Leakage current ⁽²⁾	V _{CC} = 0V, V(pin) = 1.2V; RSTN			20	μA
		V _{CC} = 0V, V(pin) = 3.3V; SCL/SDA_CTL, AUX_SNKp/n			20	
		V _{CC} = 0V, V(pin) = 3.3V; HPD_SNK			40	
		V _{CC} = 0V, V(pin) = 3.3V; AUX_SRCp/n			60	
HPD_SNK						
I _H	High-level input current	V _{IH} = 1.9V (leakage includes the 130kΩ pull-down resistor)	-30		30	μA
I _L	Low-level input current	V _{IL} = 0.8V (leakage includes the 130kΩ pull-down resistor)	-30		30	μA
V _{TH+}	Positive going input threshold voltage			1.4		V
R _{pdHPD}	HPD input termination to GND	V _{CC} =0V	100	130	160	kΩ
CAD_SNK						
I _H	High-level input current	V _{IH} = 1.9V	-1		1	μA
I _L	Low-level input current	V _{IL} = 0.8V	-1		1	μA
V _{TH+}	Positive going input threshold voltage			1.4		V

(1) A series output resistance of 100kΩ may be added in series to the CAD_SRC output to mimic a cable adapter.

(2) Applies to failsafe inputs: RSTN, SDA_CTL, SCL_CTL, SDA_DDC, SCL_DDC, AUX_SNK P/N, AUX_SRC P/N, HPD_SNK

HPD/CAD SWITCHING CHARACTERISTICS

over recommended operating conditions (unless otherwise noted)

PARAMETER		TEST CONDITIONS	MIN	TYP	MAX	UNIT
t _{PD(HPD)}	Propagation delay HPD_SNK to HPD_SRC	V _{CC} = 3.0V; See Figure 8			50	ns
t _{PD(CAD)}	Propagation delay CAD_SNK to CAD_SRC				50	
t _{T(HPD)}	HPD logic shut off time	V _{CC} = 3.0V; See Figure 9			400	ms

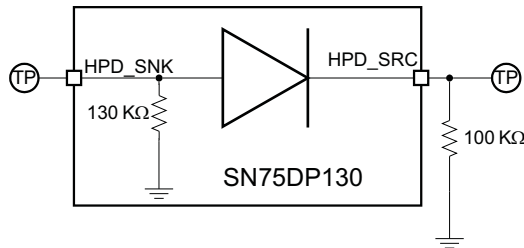


Figure 7. HPD Test Circuit

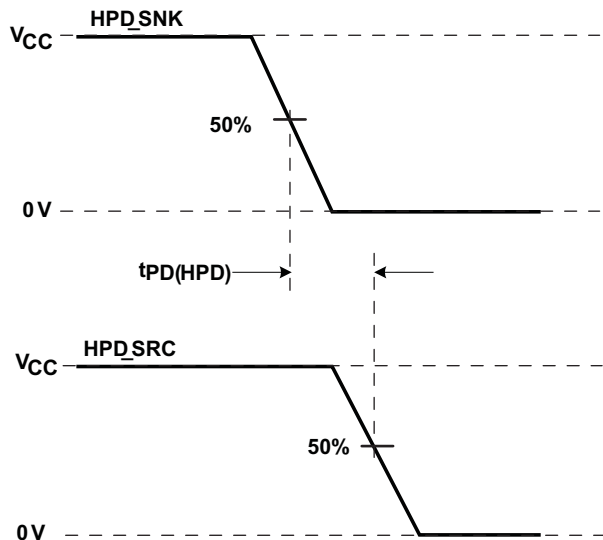


Figure 8. HPD Timing Diagram 1

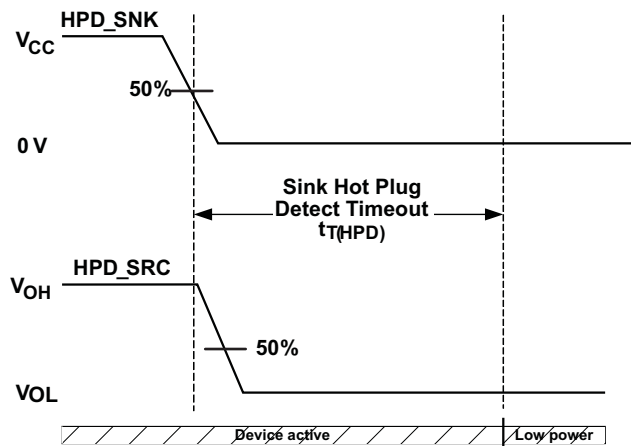


Figure 9. HPD Timing Diagram 2

AUX/DDC/I²C ELECTRICAL CHARACTERISTICS

over recommended operating conditions (unless otherwise noted)

PARAMETER		TEST CONDITIONS	MIN	TYP	MAX	UNIT
V _{PASS}	DDC mode passthrough voltage	V _{CAD_SNK} = V _{IH} ; I _O = 100 μA	1.9			V
C _{IO}	I/O capacitance	V _{IO} = 0 V; f(test) = 1 MHz		10		pF
r _{ON}	On resistance AUX_SRCn to AUX_SNKn in DP mode	V _{CC} = 3.0 V w/ V _I = 2.85V or V _{CC} = 3.6 V w/ V _I = 3.4 V; I _O = 5 mA		5	10	Ω
	On resistance SCL/SDA_DDC to AUX_SNK in TMDS mode	I _O = 3 mA		15	30	Ω
	On resistance AUX_SRC to AUX_SNK in TMDS mode	I _O = 3 mA		10	20	Ω
Δr _{ON}	On resistance variation with input signal voltage change in DP mode	V _{CC} = 3.6 V, I _O = 5 mA, V _I = 2.6 to 3.4 V, V _{CC} = 3.0 V, I _O = 5 mA, V _I = 0 to 0.4 V			5	Ω
V _{ID(HYS)}	Differential input hysteresis	By design (simulation only)		50		mV
I _H	High-level input current	V _I = V _{CC}	-5		5	μA
I _L	Low-level input current	V _I = GND; CAD_SNK = V _{IH}	-5		5	μA
		V _I = GND; At DDC inputs			80	
V _{AUX+}	Voltage on the Aux+ for PHY-CTS 3.19	1M (5%) pullup to V _{CC} and 100kΩ pulldown to GND on AUX+; V _{CC} = 3.3 V	0		0.4	V
V _{AUX-}	Voltage on the Aux- for PHY-CTS 3.18	100kΩ pullup to V _{CC} and 1M (5%) pulldown to GND on AUX-; V _{CC} = 3.3 V	2.4		3.6	V
S ₁₁₂₂	Differential line insertion loss	V _{ID} = 400 mV, AC coupled; p-channel biasing 0.3 V and n-channel 3.0V; 360 MHz sine wave; CAD_SNK=V _{IL}		1.6	3	dB
R _{DDC}	Switchable pul-lup resistor on DDC at source side (SCL_DDC, SDA_DDC)	CAD_SNK = V _{IH}	48	60	72	kΩ

AUX/DDC/I²C SWITCHING CHARACTERISTICS

over recommended operating conditions (unless otherwise noted)

PARAMETER	TEST CONDITIONS	MIN	TYP	MAX	UNIT
$t_{sk(AUX)}$ Intra-pair skew	$V_{ID} = 400\text{ mV}$, AC coupled; p-channel biasing 0.3V and n-channel 3.0V; See Figure 10			400	ps
$t_{PLH(DP)}$ Propagation delay time, low to high	$CAD = V_{IL}$; 1Mbps pattern; See Figure 11			3	ns
$t_{PHL(DP)}$ Propagation delay time, high to low				3	ns
$t_{PLH(DDC)}$ Propagation delay time, low to high	$CAD = V_{IH}$; 100kbps pattern			50	ns
$t_{PHL(DDC)}$ Propagation delay time, high to low				50	ns
$t_{PU(AUX)}$ Main Link D3 wakeup time	$V_{ID} = 0.1\text{ V}$, $V_{ICMM} = 2\text{ V}$ source side (before AC coupling caps)			50	μs

I²C
 Refer to the I²C-Bus Specification, Version 2.1 (January 2000); SN75DP130 meets the switching characteristics for standard mode transfers up to 100 kbps.

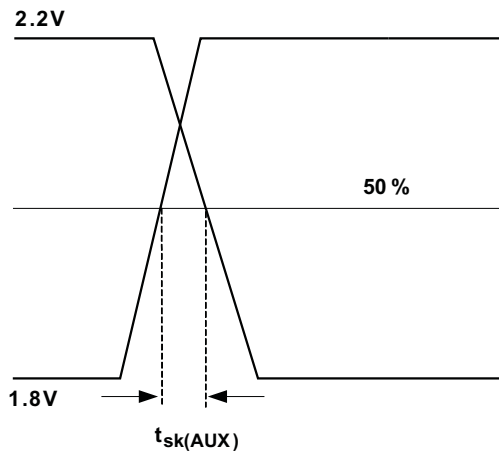


Figure 10. AUX Skew Measurement

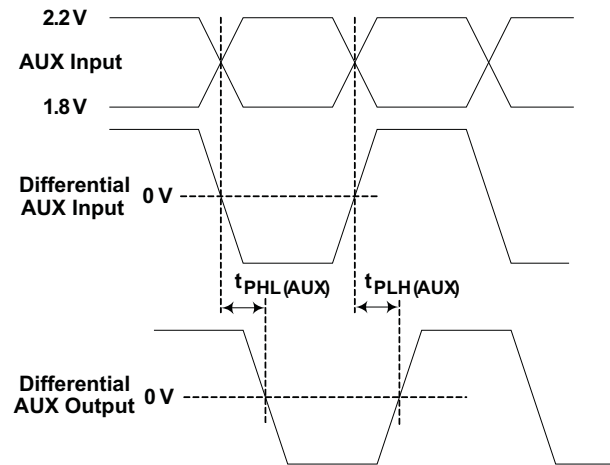
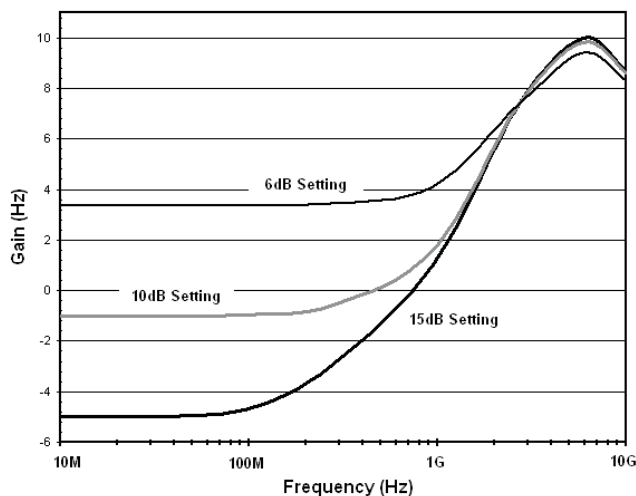


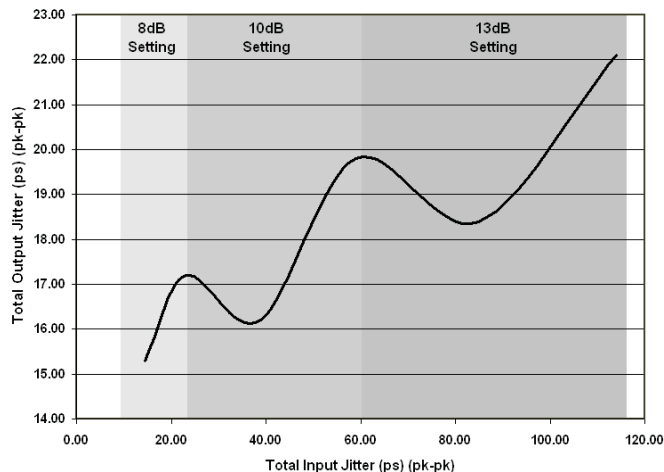
Figure 11. AUX Delay Measurement

TYPICAL CHARACTERISTICS



A. Gain represents SN75DP130 design simulation

Figure 12. Typical EQ Gain Curves

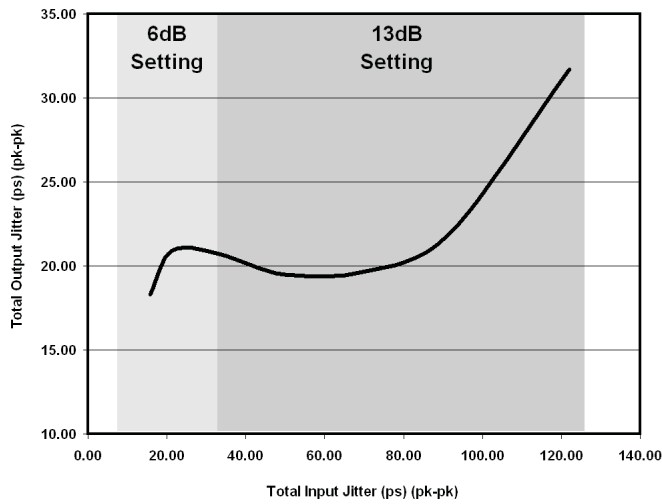


A. DisplayPort output jitter measured at the surface mount pins connected to the main link output channels on the SN75DP130 characterization test board; input jitter generated from test board with variable input trace lengths using 4 mil traces of lengths 2 inches to 22 inches generating the typical input jitter as represented in Table 1.

Figure 13. DisplayPort Sink Jitter Performance with Optimal EQ Settings

Table 1. Characterization Test Board Trace Lengths Related to Input Jitter

INPUT MODE	TRACE LENGTH (inches)	TOTAL INPUT JITTER (ps)	RECOMMENDED EQ SETTING
Display Port HBR2	2	14.4	8
	6	23.1	8
	10	38.8	10
	14	58.9	10
	18	84.8	13
	22	13.9	13
TMDS 3.4 Gbps	2	15.8	6
	6	21.3	6
	10	33.2	6
	14	49.9	13
	18	70.5	13
	22	91.5	13



A. DisplayPort output jitter measured at the surface mount pins connected to the main link output channels on the SN75DP130 characterization test board; input jitter generated from test board with variable input trace lengths using 4 mil traces of lengths 2 inches to 22 inches generating the typical input jitter as represented in Table 1.

Figure 14. TMDS Sink jitter Performance with Optimal EQ Settings

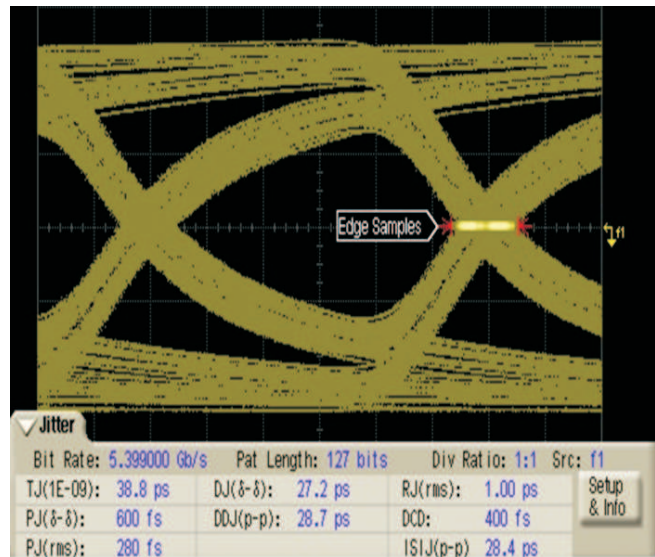


Figure 15. Main Link Input with 10 inch Trace; DisplayPort Sink

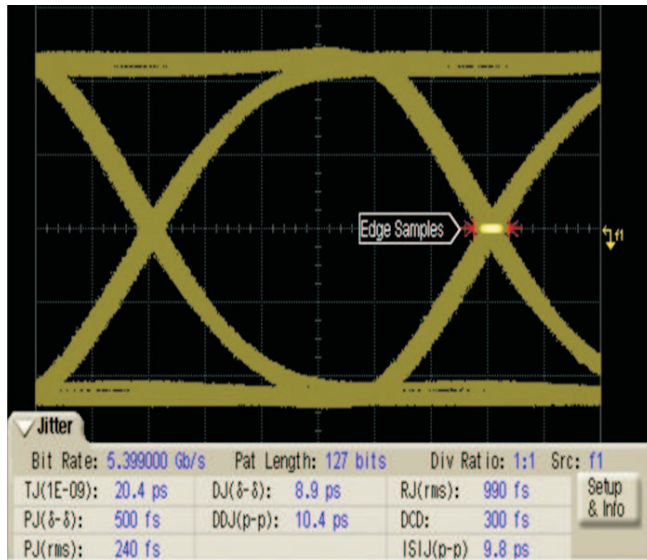


Figure 16. SN75DP130 Output; 10 inch Input Trace; 13dB EQ Setting; DP Sink

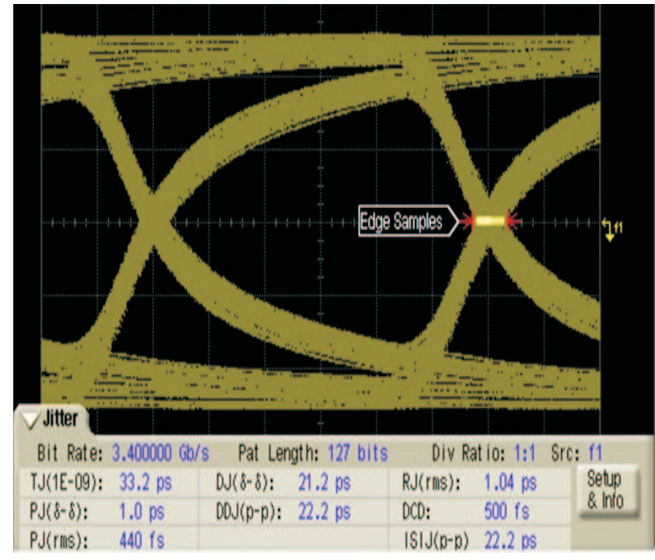


Figure 17. Main Link Input with 10 inch Trace; TMDS Sink

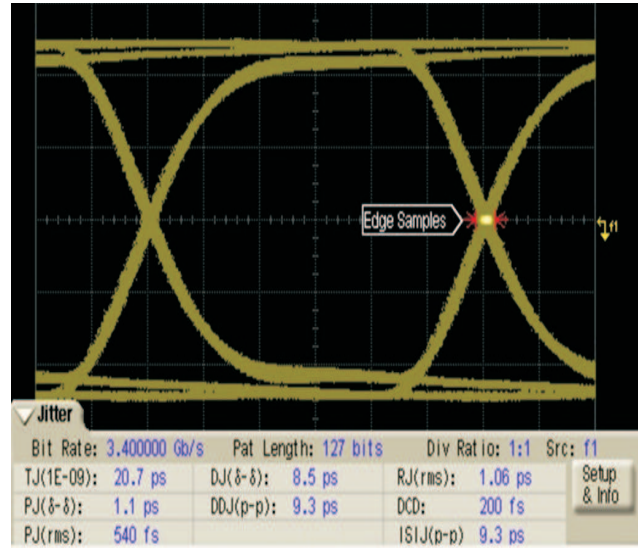


Figure 18. SN75DP130 Output; 10 inch Input Trace; 13dB EQ Setting; TMD5 Sink

APPLICATION INFORMATION

ADDITIONAL TYPICAL IMPLEMENTATIONS

The configuration shown in Figure 19 is preferred to avoid very long AUX signal stub lines. Furthermore, this configuration provides isolation between the DP connector and the GPU.

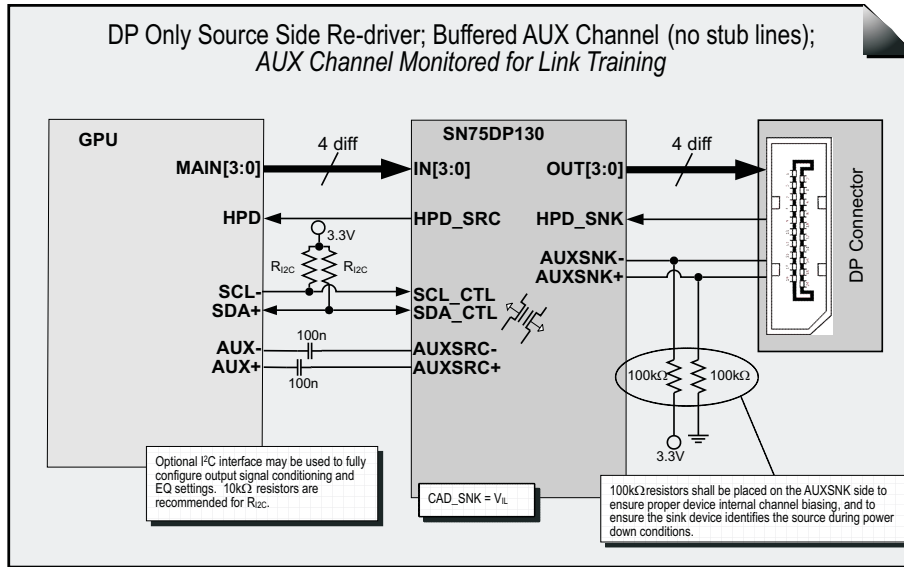


Figure 19. DP Only Configuration with AUX Pass Through

The configuration shown in Figure 20 enables the SN75DP130 in DP++ Dual-Mode with the AUX input only monitoring the AUX channel. Use this setting when AUX stub lines can be kept short and minimum AUX attenuation is desired. For DP v1.1a, the stub length shall not exceed 4cm each, and for DP v1.2 with FAUX support each stub line shall be shorter than 1cm.

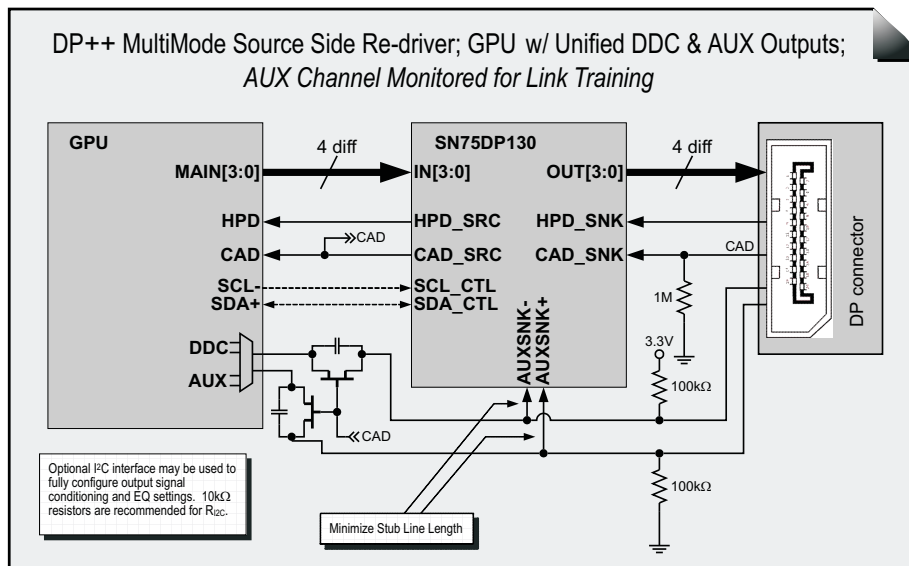


Figure 20. DP++ Dual-Mode Configuration with AUX Monitor

The alternate configuration shown in Figure 21 allows a reduced BOM by eliminating the need for external FET switches while routing AUX and DDC externally, which eliminates any insertion loss cases of AUX is brought through the SN75DP130. For DP v1.2 with FAUX support each stub line shall be shorter than 1cm.

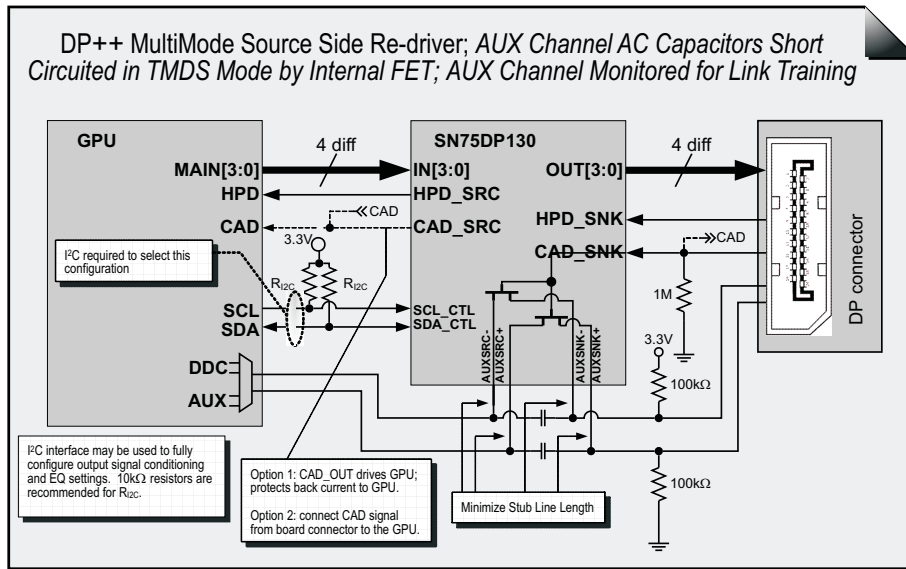


Figure 21. Alternate Low-BOM DP++ Dual-Mode Configuration

OPERATING MODES OVERVIEW

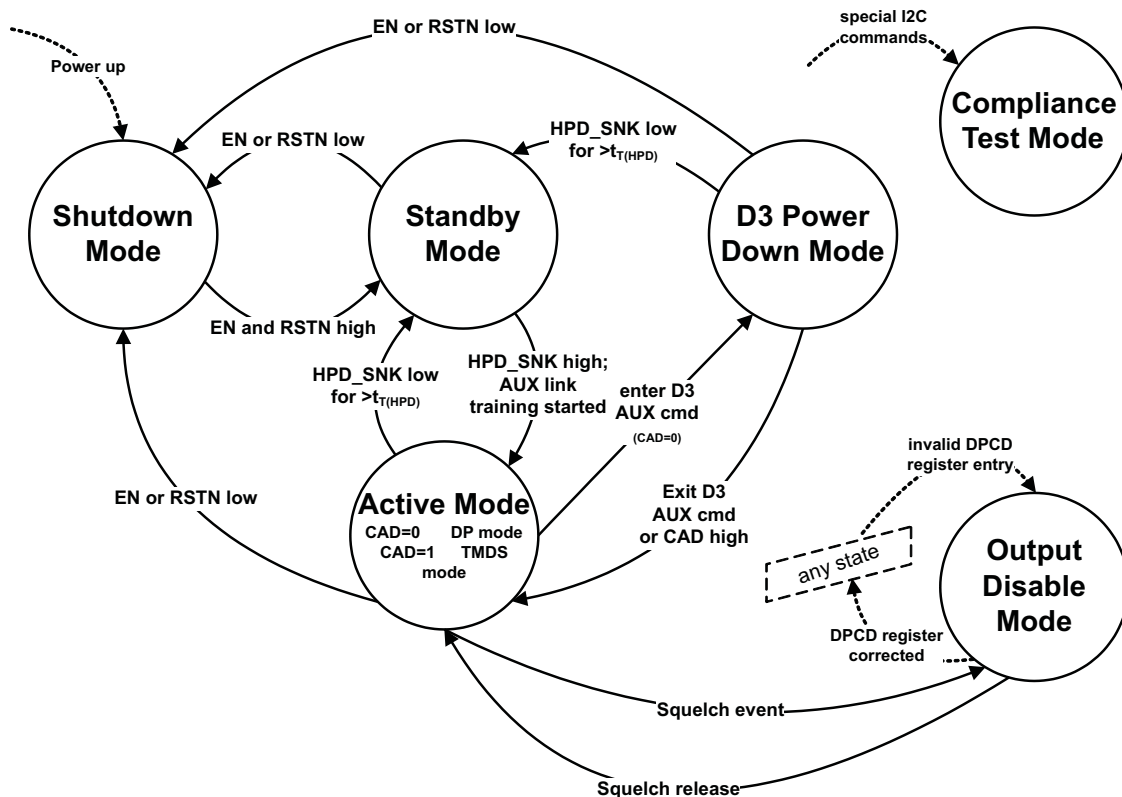


Figure 22. SN75DP130 Operating Modes Flow Diagram

Table 2. Description of SN75DP130 Operating Modes

MODE	CHARACTERISTICS	CONDITIONS
Shutdown Mode	Least amount of power consumption (most circuitry turned off); HPD_SRC reflects HPD_SNK state; all other outputs are high-impedance; if RSTN is high local I ² C IF remains active; if RSTN is low local I ² C interface is turned off, all other inputs are ignored, and AUX DPCD is reset. (EN=low does not reset DPCD)	EN or RSTN is low; Power on default mode
Standby Mode	Low power consumption (I ² C IF is active; AUX monitor is inactive); Main Link outputs are disabled;	EN and RSTN are high; HPD_SNK low longer than t _{T(HPD)}
D3 Power Down Mode	Low power consumption (I ² C IF is active; AUX monitor active in DP mode); Main Link outputs are disabled;	EN and RSTN are high; AUX cmd requested DP sink to enter D3 power saving mode
Active Mode	Data transfer (normal operation); The device is either in TMDS mode (CAD_SNK=high) or DP mode (CAD_SNK=low); In DP mode, the AUX monitor is actively monitoring for Link Training; the output signal swing and input equalization setting depend on the Link Training or I ² C settings; the AUX SRC channel is active; the AUX SNK and DDC are active unless disabled through I ² C IF. At power-up all Main Link outputs are disabled by default. AUX Link Training is necessary to overwrite the DPCD registers to enable Main Link outputs. In TMDS mode the output signal swing is 600mVpp unless this setting is adjusted by overwriting according registers through I ² C IF. Transactions on the AUX lines will be ignored.	EN and RSTN are high; HPD_SNK is high; HPD_SNK can also be low for less than t _{Z(HPD)} (e.g., sink interrupt request to source)
Compliance Test Mode	Through I ² C registers the device can be forced into ignoring HPD_SNK and CAD_SNK, HPD_SRC and CAD_SRC are programmable; output swing, pre-emphasis and EQ setting are programmable; automatic power down features can be disabled	EN and RSTN is high; I ² C selects HPD and/or CAD test mode
Output Disable Mode	DPCD write commands on the AUX bus detected by the SN75DP130 will also write to the local DPCD register. The DPCD register should always be written with a valid entry. If register 101h or 103h is written with a forbidden value, the SN75DP130 disables the Main Link output signals, forcing the DP sink to issue an interrupt. The DP source can now re-train the link using valued DPCD register values. As soon as all DPCD registers contain a valid entry, the SN75DP130 switches back into the appropriate mode of operation.	EN and RSTN are high; DPCD register 101h or 103h entry is invalid

Table 3. Description of Operating Mode Transitions

MODE TRANSITION	USE CASE	TRANSITION SPECIFICS
Shutdown → Standby	Activate SN75DP130	EN and RSTN both transitioned high
Standby → Active	Turn on Main Link (DP sink plugged in)	HPD_SNK input asserts high
Active → D3 Power Down	DP source requests temporary power down for power savings	Receive D3 entry command on AUX
Active → Output Disable	Squelch event; inactive video stream	Main Link monitor detects the inactive video stream
D3 Power Down → Active	Exit temporary power down	Receive D3 exit command on AUX, or CAD_SNK input is asserted (high)
D3 Power Down → Standby	Exit temporary power down (DP sink unplugged)	HPD_SNK de-asserted to low for longer than t _{T(HPD)}
Active → Standby	Turn off Main Link (DP sink unplugged)	HPD_SNK de-asserted to low for longer than t _{T(HPD)}
Any → Shutdown	Turn off SN75DP130	EN or RSTN transitions low
Any → Output Disable	DPCD register access error condition	Invalid DPCD register access
Output Disable → Active	Squelch released; video stream re-activated	Main Link monitor detects active video stream
Output Disable → Any	DPCD register error condition is corrected	Appropriate operating mode is re-entered

IMPLEMENTING THE RSTN SIGNAL

The SN75DP130 RSTN input gives control over the device reset and to place the device into shut-down mode. When RSTN is low, all DPCD registers are reset to their default values, and all Main Link lanes are disabled. When the RSTN input returns to a high logic level, the device comes out of the Shutdown mode. To turn on the Main Link, it is necessary to either program the DPCD registers through the local I²C interface or to go through a full sequence of Link Training between DP source and DP sink.

It is critical to reset the digital logic of the SN75DP130 after the V_{DD} supply is stable (i.e., V_{DD} has reached the minimum recommended operating voltage). This is achieved by asserting the RSTN input from low to high. A system may provide a control signal to the RSTN signal that transitions low to high after the V_{DD} supply is stable, or implement an external capacitor connected between RSTN and GND, to allow delaying the RSTN signal during power up. The implementations are shown in Figure 23 and Figure 24.

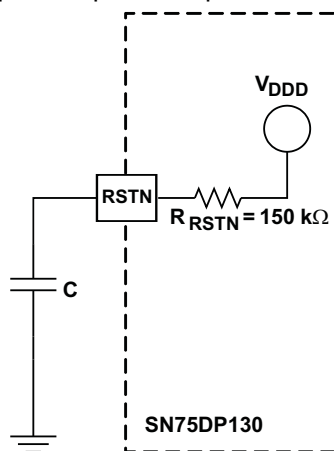


Figure 23. External Capacitor Controlled RSTN

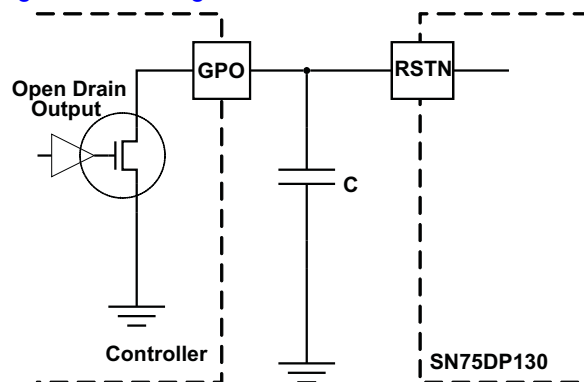


Figure 24. RSTN Input from Active Controller

When implementing the external capacitor, the size of the external capacitor depends on the power up ramp of the V_{DD} supply where a slower ramp-up results in a larger value external capacitor.

Refer to the latest reference schematic for the SN75DP130 device and/or consider approximately 200nF capacitor as a reasonable first estimate for the size of the external capacitor.

When implementing a RSTN input from an active controller, it is recommended to use an open drain driver if the RSTN input is driven. This protects the RSTN input from damage of an input voltage greater than V_{DD} .

HOT PLUG DETECT (HPD) AND CAD DESCRIPTION

The SN75DP130 generates the Hot Plug Detect (HPD_SRC) signal to indicate to the source that a sink has been detected. A low HPD_SNK signal input indicates no sink device is connected. When HPD_SNK is high, the CAD_SNK signal indicates whether a DP sink (CAD_SNK=low) or a TMDS sink (CAD_SNK=high).

A sink device can request a source device interrupt by pulling the HPD_SNK signal low for a duration of 0.5ms to 1.0ms. The interrupt passes through the SN75DP130. If the HPD_SNK signal goes low for longer than 2ms, the DP source determines that the sink device is disconnected. To conserve power, the SN75DP130 will go into a power saving Standby mode after the HPD signal went low for a duration of $t_{T(HPD)}$.

In the TMDS mode the AUX training logic is disabled and the Main Link transmits with a fixed output voltage swing of 600mVpp; the pre-emphasis level is set to 0dB. Output swing and pre-emphasis level are also adjustable by I²C IF. In TMDS mode all four Main Link output lanes are enabled.

Through the local I²C interface it is also possible to force the device to ignore HPD_SNK and CAD_SNK, and control HPD_SRC and CAD_SRC directly.

AUX AND DDC CONFIGURATION DETAILS

The SN75DP130 offers an AUX source channel (AUX_SRC), AUX sink channel (AUX_SNK), a selectable DDC interface (SDA_DDC/SCL_DDC) for TMDS mode, and a local I²C control interface (SCL_CTL / SDA_CTL). Upon power-up, the SN75DP130 enables the connection between the AUX_SNK to the appropriate source interface based on CAD_SNK. Table 4 describes the switching logic, including the programmability through the local I²C interface.

Note that the DDC interface incorporates 60kΩ pull-up resistors on SDA_DDC and SCL_DDC which are turned on when CAD_SNK is high (TMDS mode) but turned off when CAD_SNK is low (DP mode).

Table 4. AUX and DDC Interface Configurations

HPD_SNK	I ² C REGISTER BIT 04.0	I ² C REGISTER BIT 04.1	CAD_SNK	AUX_SNK	AUX_SRC	DDC	AUX MONITOR	COMMENT
0	X	X	X	OFF	OFF	OFF	inactive	no sink detected; low power mode
1	0 (default; works for Intel, NVIDIA, and AMD)	0 (default)	0	ON	ON	OFF	active	DP sink detected; AUX_SNK connects to AUX_SRC
			1	ON	OFF	ON	inactive	TMDS cable adapter detected; DDC connects to AUX_SNK
			0	OFF	ON	OFF	active	DP sink detected; AUX_SNK disconnected from AUX_SRC; AUX_SNK monitors AUX training
	1 (NVIDIA, AMD special mode)	0 (default)	1	ON	ON	OFF	inactive	TMDS cable adapter detected; AUX_SNK connects to AUX_SRC and can be used to short AC coupling caps
			0	ON	ON	OFF	active	DP sink detected; AUX_SNK connects to AUX_SRC
	1	inactive	TMDS cable adapter detected; AUX_SRC connects to AUX_SNK					
	0	1	undetermined		mode not recommended			

MAIN LINK EQ CONFIGURATION DETAILS

The EQ input stage is self-configuring based on Link Training. A variety of EQ settings are available through external pin configuration to accommodate for different PCB loss and GPU settings, and the I²C interface may be utilized to fully customize EQ configuration lane-by-lane beyond the input pin configurability options, as described in [Table 5](#).

Table 5. Main Link EQ Configurations

EQ_I2C_ENABLE (reg 05.7)	ADDR_EQ	CAD_SNK ⁽¹⁾ VIL = DP VIH = TMDS	LINK TRAINING ON/OFF (reg 04.2)	LINK TRAINING AEQ(Lx) ⁽²⁾ LANE 0 to 2	LINK TRAINING AEQ(Lx) ⁽²⁾ LANE 3	DESCRIPTION
0 (default)	VIL	VIL	1 (default)	AEQ(L0) = 8dB at 2.7GHz AEQ(L1) = 6dB at 2.7GHz AEQ(L2) = 3.5dB at 2.7GHz AEQ(L3) = 0dB at 2.7GHz	same as Lane 0 to 2	automatic low-range EQ gain based on link training; DP mode
			0	AEQ(Lx) = 6dB at 2.7GHz	3dB at 1.35GHz	DP mode; fixed EQ
		VIH	x	AEQ(Lx) = 6dB at 2.7GHz	3dB at 1.35GHz	TMDS mode; fixed EQ
	VIM	VIL	1	AEQ(Lx) = 8dB at 2.7GHz	same as Lane 0 to 2	DP mode; fixed EQ
			0	AEQ(Lx) = 8dB at 2.7GHz	3dB at 1.35GHz	DP mode; fixed EQ
		VIH	x	AEQ(Lx) = 8dB at 2.7GHz	3dB at 1.35GHz	TMDS mode; fixed EQ
	VIH	VIL	1	AEQ(L0) = 15dB at 2.7GHz AEQ(L1) = 13dB at 2.7GHz AEQ(L2) = 10dB at 2.7GHz AEQ(L3) = 6dB at 2.7GHz	same as Lane 0 to 2	automatic high-range EQ gain based on link training; DP mode
			0	AEQ(Lx) = 13dB at 2.7GHz	3dB at 1.35GHz	DP mode; fixed EQ
		VIH	x	AEQ(Lx) = 13dB at 2.7GHz	3dB at 1.35GHz	TMDS mode; fixed EQ
1	x	VIL	1	AEQ(Lx) = 0dB at 2.7GHz AEQ(Lx) I ² C programmable	same as Lane 0 to 2	DP mode; EQ fully programmable for each training level; EQ disabled by default
			0	AEQ(L1) = 6dB at 2.7GHz AEQ(L1) I ² C programmable	3dB at 1.35GHz	DP mode; EQ fully programmable by AEQ(L1) levels; default AEQ(L1) EQ setting at 6dB At 2.7GHz
		VIH	x	AEQ(Lx) = 6dB at 2.7GHz AEQ(Lx) I ² C programmable	3dB at 1.35GHz	TMDS mode; fixed EQ

(1) Setting CAD_TEST_MODE (Reg 17.0) forces the SN75DP130 into a TMDS test mode even if no external CAD signal is present

(2) EQ setting is adjusted based on the output pre-emphasis level setting; the EQ setting is indifferent to the level of V_{OD}.

LINK TRAINING AND DPCD DESCRIPTION

The SN75DP130 monitors the auxiliary interface access to DisplayPort Configuration Data (DPCD) registers during Link Training in DP mode to select the output voltage swing V_{OD} , output pre-emphasis, and the EQ setting of the Main Link. The AUX monitor for SN75DP130 supports Link Training in 1Mbps Manchester mode, and is disabled during TMDs mode (CAD_SNK=VIH).

The AUX channel is further monitored for the DisplayPort D3 standby command.

The DPCD registers monitored by SN75DP130 are listed in [Table 6](#). Bit fields not listed are reserved and values written to reserved fields are ignored.

Table 6. DPCD Registers Utilized by the SN75DP130 AUX Monitor

ADDRESS	NAME	DESCRIPTION
00100h	LINK_BW_SET	Bits 7:0 = Link Bandwidth Setting 06h – 1.62Gbps per lane 0Ah – 2.7Gbps per lane (<i>default</i>) 14h – (or any other value) 5.4Gbps per lane
00101h	LANE_COUNT_SET	Bits 4:0 = Lane Count 0h – All lanes disabled (<i>default</i>) 1h – One lane enabled 2h – Two lanes enabled 4h – Four lanes enabled <i>Note: any other value is invalid and disables all Main Link output lanes</i>
00103h	TRAINING_LANE0_SET	Bits 1:0 = Output Voltage V_{OD} Level Bits 4:3 = Pre-emphasis Level 00 – Voltage swing level 0 (<i>default</i>) 00 – Pre-emphasis level 0 (<i>default</i>) 01 – Voltage swing level 1 01 – Pre-emphasis level 1 10 – Voltage swing level 2 10 – Pre-emphasis level 2 11 – Voltage swing level 3 11 – Pre-emphasis level 3 <i>Note: the following combinations are not allowed for bits [1:0]/[4:3]: 01/11, 10/10, 10/11, 11/01, 11/10, 11/11; setting to any of these invalid combinations disables all Main Link lanes until the register value is changed back to a valid entry</i>
00104h	TRAINING_LANE1_SET	Sets the V_{OD} and pre-emphasis levels for lane 1
00105h	TRAINING_LANE2_SET	Sets the V_{OD} and pre-emphasis levels for lane 2
00106h	TRAINING_LANE3_SET	Sets the V_{OD} and pre-emphasis levels for lane 3
0010F	TRAINING_LANE0_1_SET2	Bits 1:0 = Lane 0 Post Cursor 2 00 – IN0 expects post cursor2 level 0; OUT0 transmits at post cursor 2 level 0 01 – IN0 expects post cursor2 level 1; OUT0 remains at post cursor 2 level 0 10 – IN0 expects post cursor2 level 2; OUT0 remains at post cursor 2 level 0 11 – IN0 expects post cursor2 level 3; OUT0 remains at post cursor 2 level 0 Bits 5:4 = Lane 1 Post Cursor 2 00 – IN1 expects post cursor2 level 0; OUT1 transmits at post cursor 2 level 0 01 – IN1 expects post cursor2 level 1; OUT1 remains at post cursor 2 level 0 10 – IN1 expects post cursor2 level 2; OUT1 remains at post cursor 2 level 0 11 – IN1 expects post cursor2 level 3; OUT1 remains at post cursor 2 level 0
0110F	TRAINING_LANE2_3_SET2	Bit definition identical to that of TRAINING_LANE_0_1_SET2 but for lanes 2 (IN2/OUT2) and lane 3 (IN3/OUT3)
00600h	SET_POWER	Bits 1:0 = Power Mode 01 – Normal mode (<i>default</i>) 10 – Power down mode; D3 Standby Mode The Main Link and all analog circuits are shut down and the AUX channel is monitored during the D3 Standby Mode. The device exits D3 Standby Mode by access to this register, when CAD_SNK goes high, or if HPD_SNK goes low for longer than $t_{T(HPD)}$, which indicates that the DP sink was disconnected. <i>Note: setting the register to the invalid combination 0600h[1:0]=00 or 11 is ignored by the device and the device remains in normal mode</i>

I²C INTERFACE OVERVIEW

The SN75DP130 I²C interface is enabled when EN and RSTN are input high. The SCL_CTL and SDA_CTL terminals are used for I²C clock and I²C data respectively. The SN75DP130 I²C interface conforms to the two-wire serial interface defined by the I²C Bus Specification, Version 2.1 (January 2000), and supports the standard mode transfer up to 100 kbps.

The device address byte is the first byte received following the START condition from the master device. The 7 bit device address for SN75DP130 is factory preset to 01011xx with the two least significant bits being determined by the ADDR_EQ 3-level control input. [Table 7](#) clarifies the SN75DP130 target address.

Table 7. SN75DP130 I²C Target Address Description

SN75DP130 I ² C TARGET ADDRESS							
BIT 7 (MSB)	BIT 6	BIT 5	BIT 4	BIT 3	BIT 2	BIT 1	BIT 0 (W/R)
0	1	0	1	1	ADDR1	ADDR0	0/1

Note: ADDR_EQ = LOW: ADDR[1:0] = 00: W/R=58/59
 ADDR_EQ = V_{CC}/2: ADDR[1:0] = 01: W/R=5A/5B;
 ADDR_EQ = HIGH: ADDR[1:0] = 10: W/R=5C/5D

The following procedure is followed to write to the SN75DP130 I²C registers:

1. The master initiates a write operation by generating a start condition (S), followed by the SN75DP130 7-bit address and a zero-value "W/R" bit to indicate a write cycle
2. The SN75DP130 acknowledges the address cycle
3. The master presents the sub-address (I²C register within SN75DP130) to be written, consisting of one byte of data, MSB-first
4. The SN75DP130 acknowledges the sub-address cycle
5. The master presents the first byte of data to be written to the I²C register
6. The SN75DP130 acknowledges the byte transfer
7. The master may continue presenting additional bytes of data to be written, with each byte transfer completing with an acknowledge from the SN75DP130
8. The master terminates the write operation by generating a stop condition (P)

The following procedure is followed to read the SN75DP130 I²C registers:

1. The master initiates a read operation by generating a start condition (S), followed by the SN75DP130 7-bit address and a one-value "W/R" bit to indicate a read cycle
2. The SN75DP130 acknowledges the address cycle
3. The SN75DP130 transmits the contents of the memory registers MSB-first starting at register 00h.
4. The SN75DP130 will wait for either an acknowledge (ACK) or a not-acknowledge (NACK) from the master after each byte transfer; the I²C master acknowledges reception of each data byte transfer
5. If an ACK is received, the SN75DP130 transmits the next byte of data
6. The master terminates the read operation by generating a stop condition (P)

Note that no sub-addressing is included for the read procedure, and reads start at register offset 00h and continue byte by byte through the registers until the I²C master terminates the read operation.

Refer to [Table 8](#) for SN75DP130 local I²C register descriptions. Reads from reserved fields not described return zeros, and writes are ignored.

Table 8. SN75DP130 I²C Register Descriptions

ADDRESS	BIT(S)	DESCRIPTION	ACCESS ⁽¹⁾
01h	1	AUTO_POWERDOWN_DISABLE 0 – The SN75DP130 automatically enters Standby mode based on HPD_SNK (default) 1 – The SN75DP130 will not automatically enter Standby mode	RW
	0	FORCE_SHUTDOWN_MODE 0 – SN75DP130 is forced to Shutdown mode 1 – Shutdown mode is determined by EN input, normal operation (default)	RW

(1) RO = Read Only; RW = Read/Write; WO = Write Only (reads return undetermined values)

Table 8. SN75DP130 I²C Register Descriptions (continued)

ADDRESS	BIT(S)	DESCRIPTION	ACCESS ⁽¹⁾
02h	7:0	TI_TEST. This field defaults to zero value, and should not be modified.	RW
03h	5:4	SQUELCH_SENSITIVITY. Main Link squelch sensitivity is selected by this field, and determines the transitions to and from the Output Disable mode. 00 – Main Link IN0p/n squelch detection threshold set to 40mVpp 01 – Main Link IN0p/n squelch detection threshold set to 80mVpp (default) 10 – Main Link IN0p/n squelch detection threshold set to 160mVpp 11 – Main Link IN0p/n squelch detection threshold set to 250mVpp	RW
	3	SQUELCH_ENABLE 0 – Main Link IN0p/n squelch detection enabled (default) 1 – Main Link IN0p/n squelch detection disabled	RW
04h	3	TI_TEST. This field defaults to zero value, and should not be modified.	RW
	2	LINK_TRAINING_ENABLE 0 – Link Training is disabled. V _{OD} and Pre-emphasis are configured through the I ² C register interface; the EQ is fixed when this bit is zero. 1 – Link Training is enabled (default)	RW
	1:0	AUX_DDC_MUX_CFG. See Table 3 for details on the programming of this field. 00 – AUX_SNK is switched to AUX_SRC for DDC source side based on CAD_SNK (default) 01 – AUX_SNK is switched to AUX_SRC based on the CAD_SNK input, and used to short circuit AC coupling capacitors in the TMDS operating mode. 10 – AUX_SNK is switched to AUX_SRC side based on the HPD_SNK input, while the DDC source interface remains disabled. 11 – Undefined operation	RW
05h	7	EQ_I2C_ENABLE 0 – EQ settings controlled by device inputs only (default) 1 – EQ settings controlled by I ² C register settings	RW
	6:4	AEQ_L0_LANE0_SET. This field selects the EQ setting for Lane 0 when I2C_EQ_ENABLE is set, Link Training is enabled, and the Link Training results in Level 0 pre-emphasis. 000 – 0dB EQ gain (default) 100 – 5dB (HBR); 10dB (HBR2) 001 – 1.5dB (HBR); 3.5dB (HBR2) 101 – 6dB (HBR); 13dB (HBR2) 010 – 3dB (HBR); 6dB (HBR2) 110 – 7dB (HBR); 15dB (HBR2) 011 – 4dB (HBR); 8dB (HBR2) 111 – 9dB (HBR); 18dB (HBR2)	RW
	2:0	AEQ_L1_LANE0_SET. Settings are the same as AEQ_L0_LANE0_SET	RW
06h	6:4	AEQ_L2_LANE0_SET. Settings are the same as AEQ_L0_LANE0_SET	RW
	2:0	AEQ_L3_LANE0_SET. Settings are the same as AEQ_L0_LANE0_SET	RW
07h	6:4	AEQ_L0_LANE1_SET. Settings are the same as AEQ_L0_LANE0_SET	RW
	2:0	AEQ_L1_LANE1_SET. Settings are the same as AEQ_L0_LANE0_SET	RW
08h	6:4	AEQ_L2_LANE1_SET. Settings are the same as AEQ_L0_LANE0_SET	RW
	2:0	AEQ_L3_LANE1_SET. Settings are the same as AEQ_L0_LANE0_SET	RW
09h	6:4	AEQ_L0_LANE2_SET. Settings are the same as AEQ_L0_LANE0_SET	RW
	2:0	AEQ_L1_LANE2_SET. Settings are the same as AEQ_L0_LANE0_SET	RW
0Ah	6:4	AEQ_L2_LANE2_SET. Settings are the same as AEQ_L0_LANE0_SET	RW
	2:0	AEQ_L3_LANE2_SET. Settings are the same as AEQ_L0_LANE0_SET	RW
0Bh	6:4	AEQ_L0_LANE3_SET. Settings are the same as AEQ_L0_LANE0_SET	RW
	2:0	AEQ_L1_LANE3_SET. Settings are the same as AEQ_L0_LANE0_SET	RW
0Ch	6:4	AEQ_L2_LANE3_SET. Settings are the same as AEQ_L0_LANE0_SET	RW
	2:0	AEQ_L3_LANE3_SET. Settings are the same as AEQ_L0_LANE0_SET	RW

Table 8. SN75DP130 I²C Register Descriptions (continued)

ADDRESS	BIT(S)	DESCRIPTION	ACCESS ⁽¹⁾
15h	4:3	BOOST. Controls the output pre-emphasis amplitude; allows to reduce or increase all pre-emphasis settings by ~10%. Setting this field will impact V _{OD} when pre-emphasis is disabled. This setting also impacts the output in TMDS mode. 00 – Pre-emphasis reduced by ~10%; V _{OD} reduced when pre-emphasis is disabled. 01 – Pre-emphasis nominal (default) 10 – Pre-emphasis increased by ~10%; V _{OD} increased when pre-emphasis is disabled. 11 – Reserved	RW
	2	TMDS_VOD. Sets the target output swing in TMDS mode. 0 – Low TMDS output swing (default) 1 – High TMDS output swing	RW
	1:0	TMDS_VPRE. Controls the output pre-emphasis in TMDS mode 00 – No TMDS pre-emphasis (default) 01 – Low TMDS pre-emphasis 10 – High TMDS pre-emphasis 11 – Reserved	RW
17h	3	HPD_TEST_MODE 0 – Normal HPD mode. HPD_SRC reflects the status of HPD_SNK (default) 1 – Test mode. HPD_SNK is pulled high internally, and the HPD_SRC output is driven high and the Main Link is activated, depending on the squelch setting. This mode allows execution of certain tests on SN75DP130 without a connected display sink.	RW
	1	CAD_OUTPUT_INVERT 0 – CAD_SRC output high means TMDS cable adapter detected (default) 1 – CAD_SRC output low means TMDS cable adapter detected	RW
17h	0	CAD_TEST_MODE 0 – Normal CAD mode. CAD_SRC reflects the status of CAD_SNK, based on the value of CAD_OUTPUT_INVERT (default) 1 – Test mode. CAD_SRC indicates TMDS mode, depending on the value of CAD_OUTPUT_INVERT; CAD_SNK input is ignored. This mode allows execution of certain tests on SN75DP130 without a connected TMDS display sink.	RW
18h – 1Ah	7:0	TI_TEST. These registers shall not be modified.	RW
1Bh	7	I2C_SOFT_RESET. Writing a one to this register resets all I ² C registers to default values. Writing a zero to this register has no effect. Reads from this register return zero.	WO
	6	DPCD_RESET. Writing a one to this register resets the DPCD register bits (corresponding to DPCD addresses 103h – 106h, the AEQ_Lx_LANEy_SET bits). Writing a zero to this register has no effect. Reads from this register return zero.	
1Ch	3:0	DPCD_ADDR_HIGH. This value maps to bits 19:16 of the 20-bit DPCD register address accessed through the DPCD_DATA register.	RW
1Dh	7:0	DPCD_ADDR_MID. This value maps to bits 15:8 of the 20-bit DPCD register address accessed through the DPCD_DATA register.	RW
1Eh	7:0	DPCD_ADDR_LOW. This value maps to bits 7:0 of the 20-bit DPCD register address accessed through the DPCD_DATA register.	RW
1Fh	7:0	DPCD_DATA. This register contains the data to write into or read from the DPCD register addressed by DPCD_ADDR_HIGH, DPCD_ADDR_MID, and DPCD_ADDR_LOW.	RW
20h	7:1	DEV_ID_REV. This field identifies the device and revision. 0000000 – SN75DP130 Revision 0	RO
	0	BIT_INVERT. The value read from this field is the inverse of that written. Default read value is zero.	RW
21h	7:0	TI_TEST. These registers shall not be modified.	RW
22h – 27h	7:0	TI_TEST_RESERVED. These read only registers are reserved for test; writes are ignored.	RO

REVISION HISTORY

Changes from Original (April 2011) to Revision A **Page**

- Changed pin numbers in PIN FUNCTIONS table, VDDD_DREG and NC **6**
-

Changes from Revision A (September 2011) to Revision B **Page**

- Deleted pins 37 an 43 from GND in the PIN FUNCTIONS table **6**
-

PACKAGING INFORMATION

Orderable Device	Status ⁽¹⁾	Package Type	Package Drawing	Pins	Package Qty	Eco Plan ⁽²⁾	Lead/ Ball Finish	MSL Peak Temp ⁽³⁾	Samples (Requires Login)
SN75DP130DSRGZR	ACTIVE	VQFN	RGZ	48	2500	Green (RoHS & no Sb/Br)	CU NIPDAU	Level-3-260C-168 HR	
SN75DP130DSRGZT	ACTIVE	VQFN	RGZ	48	250	Green (RoHS & no Sb/Br)	CU NIPDAU	Level-3-260C-168 HR	
SN75DP130SSRGZR	ACTIVE	VQFN	RGZ	48	2500	Green (RoHS & no Sb/Br)	CU NIPDAU	Level-3-260C-168 HR	
SN75DP130SSRGZT	ACTIVE	VQFN	RGZ	48	250	Green (RoHS & no Sb/Br)	CU NIPDAU	Level-3-260C-168 HR	

⁽¹⁾ The marketing status values are defined as follows:

ACTIVE: Product device recommended for new designs.

LIFEBUY: TI has announced that the device will be discontinued, and a lifetime-buy period is in effect.

NRND: Not recommended for new designs. Device is in production to support existing customers, but TI does not recommend using this part in a new design.

PREVIEW: Device has been announced but is not in production. Samples may or may not be available.

OBSOLETE: TI has discontinued the production of the device.

⁽²⁾ Eco Plan - The planned eco-friendly classification: Pb-Free (RoHS), Pb-Free (RoHS Exempt), or Green (RoHS & no Sb/Br) - please check <http://www.ti.com/productcontent> for the latest availability information and additional product content details.

TBD: The Pb-Free/Green conversion plan has not been defined.

Pb-Free (RoHS): TI's terms "Lead-Free" or "Pb-Free" mean semiconductor products that are compatible with the current RoHS requirements for all 6 substances, including the requirement that lead not exceed 0.1% by weight in homogeneous materials. Where designed to be soldered at high temperatures, TI Pb-Free products are suitable for use in specified lead-free processes.

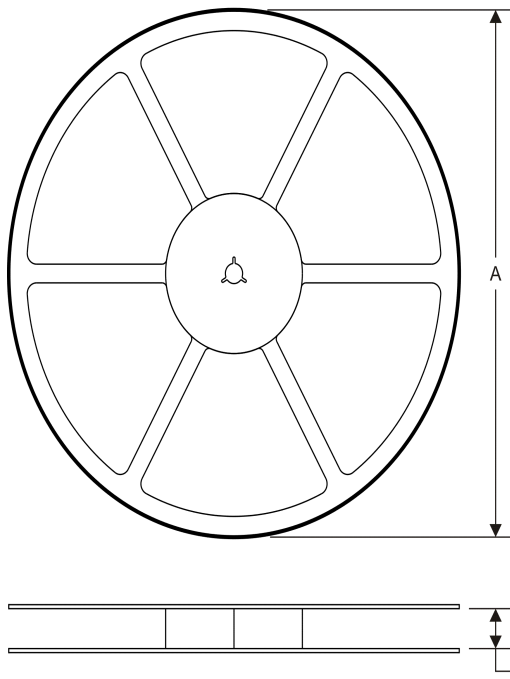
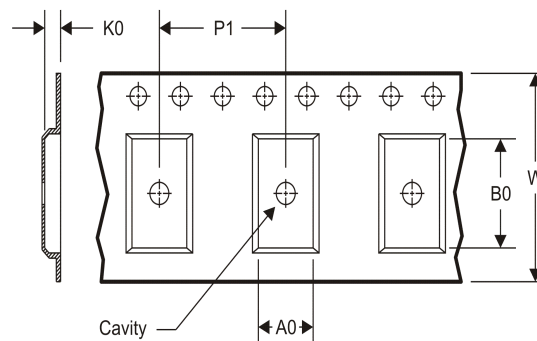
Pb-Free (RoHS Exempt): This component has a RoHS exemption for either 1) lead-based flip-chip solder bumps used between the die and package, or 2) lead-based die adhesive used between the die and leadframe. The component is otherwise considered Pb-Free (RoHS compatible) as defined above.

Green (RoHS & no Sb/Br): TI defines "Green" to mean Pb-Free (RoHS compatible), and free of Bromine (Br) and Antimony (Sb) based flame retardants (Br or Sb do not exceed 0.1% by weight in homogeneous material)

⁽³⁾ MSL, Peak Temp. -- The Moisture Sensitivity Level rating according to the JEDEC industry standard classifications, and peak solder temperature.

Important Information and Disclaimer: The information provided on this page represents TI's knowledge and belief as of the date that it is provided. TI bases its knowledge and belief on information provided by third parties, and makes no representation or warranty as to the accuracy of such information. Efforts are underway to better integrate information from third parties. TI has taken and continues to take reasonable steps to provide representative and accurate information but may not have conducted destructive testing or chemical analysis on incoming materials and chemicals. TI and TI suppliers consider certain information to be proprietary, and thus CAS numbers and other limited information may not be available for release.

In no event shall TI's liability arising out of such information exceed the total purchase price of the TI part(s) at issue in this document sold by TI to Customer on an annual basis.

TAPE AND REEL INFORMATION
REEL DIMENSIONS

TAPE DIMENSIONS


A0	Dimension designed to accommodate the component width
B0	Dimension designed to accommodate the component length
K0	Dimension designed to accommodate the component thickness
W	Overall width of the carrier tape
P1	Pitch between successive cavity centers

TAPE AND REEL INFORMATION

*All dimensions are nominal

Device	Package Type	Package Drawing	Pins	SPQ	Reel Diameter (mm)	Reel Width W1 (mm)	A0 (mm)	B0 (mm)	K0 (mm)	P1 (mm)	W (mm)	Pin1 Quadrant
SN75DP130DSRGZR	VQFN	RGZ	48	2500	330.0	16.4	7.3	7.3	1.5	12.0	16.0	Q2
SN75DP130DSRGZT	VQFN	RGZ	48	250	180.0	16.4	7.3	7.3	1.5	12.0	16.0	Q2
SN75DP130SSRGZR	VQFN	RGZ	48	2500	330.0	16.4	7.3	7.3	1.5	12.0	16.0	Q2
SN75DP130SSRGZT	VQFN	RGZ	48	250	180.0	16.4	7.3	7.3	1.5	12.0	16.0	Q2

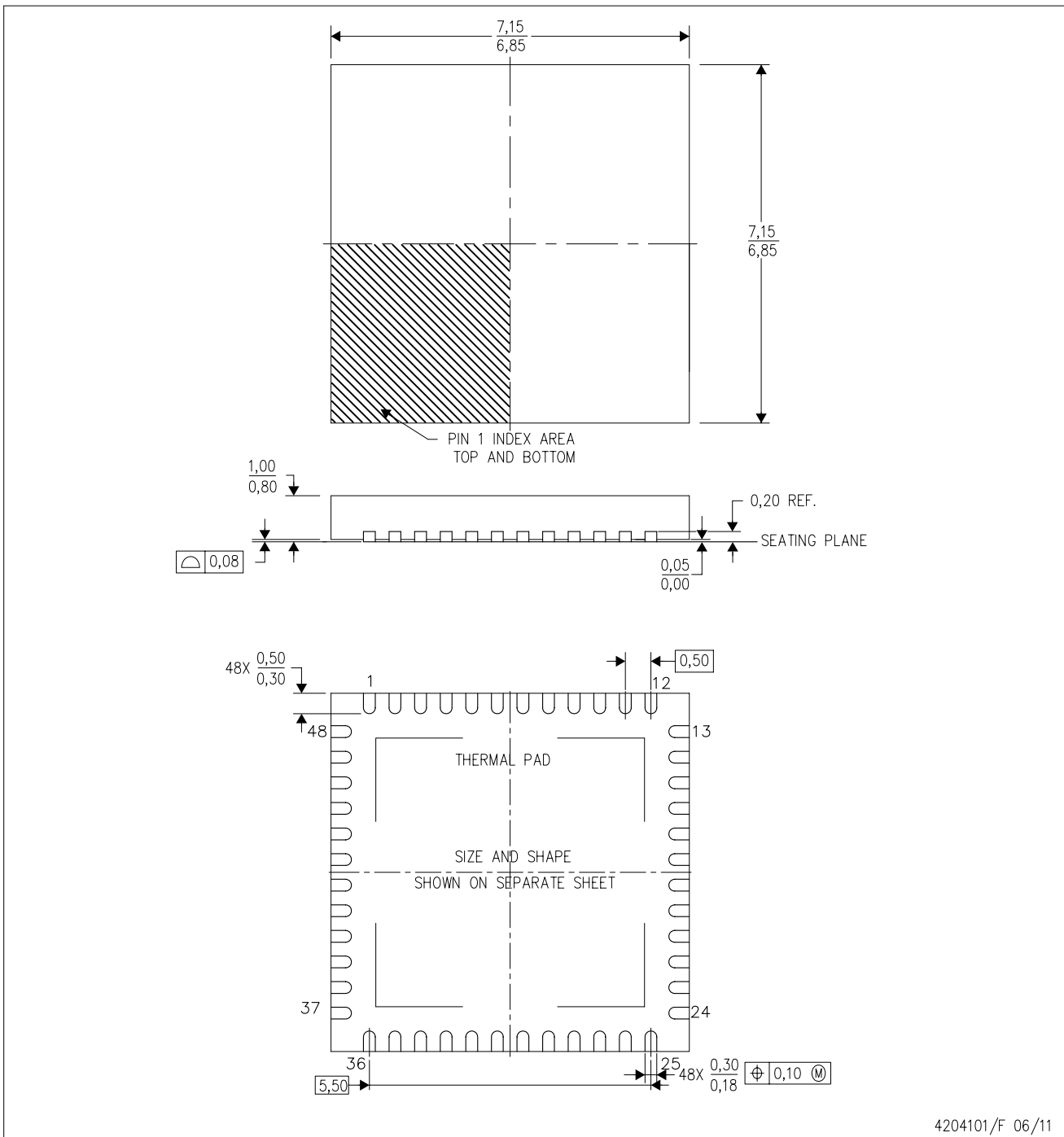
TAPE AND REEL BOX DIMENSIONS


*All dimensions are nominal

Device	Package Type	Package Drawing	Pins	SPQ	Length (mm)	Width (mm)	Height (mm)
SN75DP130DSRGZR	VQFN	RGZ	48	2500	346.0	346.0	33.0
SN75DP130DSRGZT	VQFN	RGZ	48	250	210.0	185.0	35.0
SN75DP130SSRGZR	VQFN	RGZ	48	2500	346.0	346.0	33.0
SN75DP130SSRGZT	VQFN	RGZ	48	250	210.0	185.0	35.0

RGZ (S-PVQFN-N48)

PLASTIC QUAD FLATPACK NO-LEAD



4204101/F 06/11

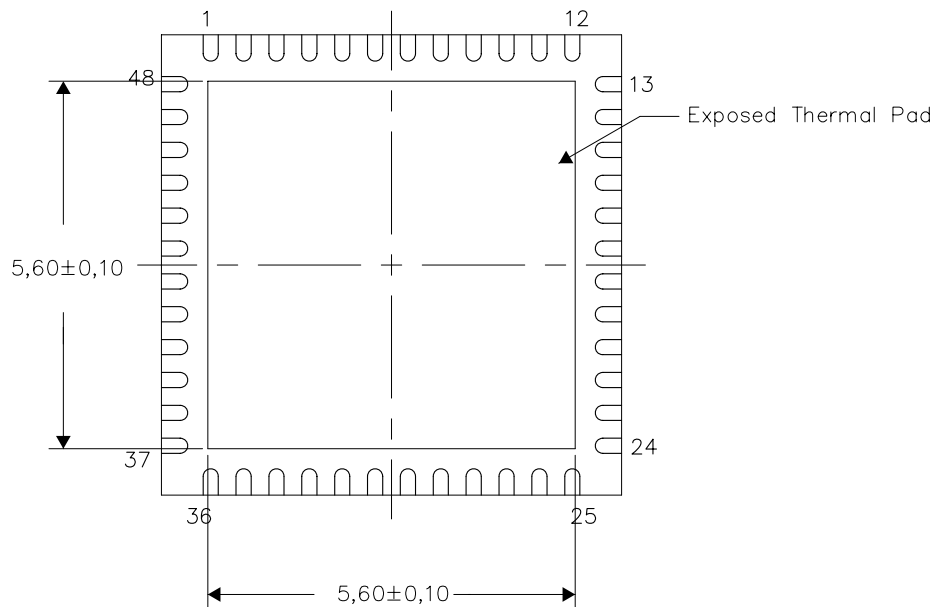
- NOTES:
- A. All linear dimensions are in millimeters. Dimensioning and tolerancing per ASME Y14.5M-1994.
 - B. This drawing is subject to change without notice.
 - C. Quad Flatpack, No-leads (QFN) package configuration.
 - D. The package thermal pad must be soldered to the board for thermal and mechanical performance.
 - E. See the additional figure in the Product Data Sheet for details regarding the exposed thermal pad features and dimensions.
 - F. Falls within JEDEC MO-220.

THERMAL INFORMATION

This package incorporates an exposed thermal pad that is designed to be attached directly to an external heatsink. The thermal pad must be soldered directly to the printed circuit board (PCB). After soldering, the PCB can be used as a heatsink. In addition, through the use of thermal vias, the thermal pad can be attached directly to the appropriate copper plane shown in the electrical schematic for the device, or alternatively, can be attached to a special heatsink structure designed into the PCB. This design optimizes the heat transfer from the integrated circuit (IC).

For information on the Quad Flatpack No-Lead (QFN) package and its advantages, refer to Application Report, QFN/SON PCB Attachment, Texas Instruments Literature No. SLUA271. This document is available at www.ti.com.

The exposed thermal pad dimensions for this package are shown in the following illustration.



Bottom View

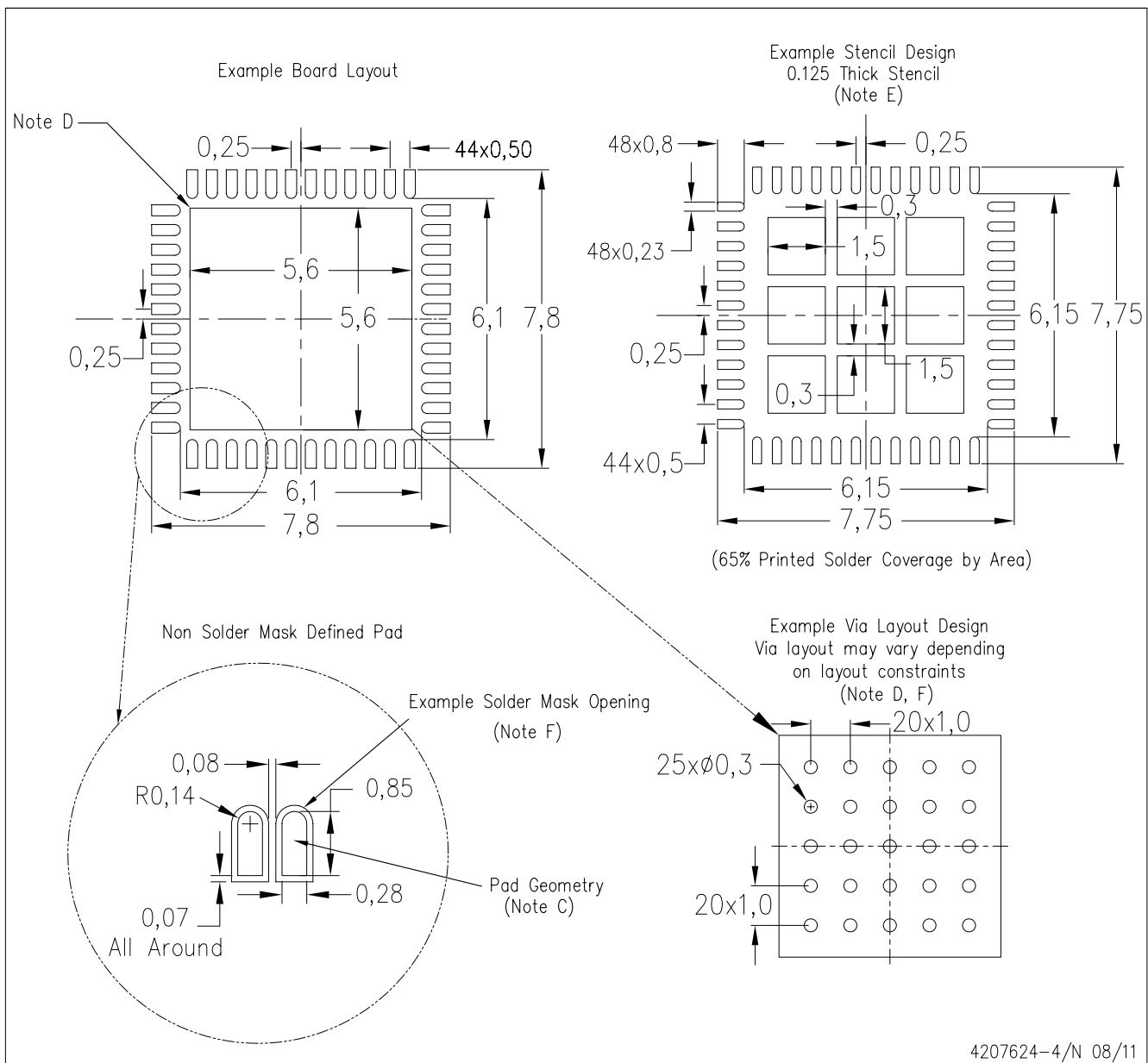
Exposed Thermal Pad Dimensions

4206354-5/R 08/11

NOTE: All linear dimensions are in millimeters

RGZ (S-PVQFN-N48)

PLASTIC QUAD FLATPACK NO-LEAD



4207624-4/N 08/11

- NOTES:
- All linear dimensions are in millimeters.
 - This drawing is subject to change without notice.
 - Publication IPC-7351 is recommended for alternate designs.
 - This package is designed to be soldered to a thermal pad on the board. Refer to Application Note, Quad Flat-Pack Packages, Texas Instruments Literature No. SLUA271, and also the Product Data Sheets for specific thermal information, via requirements, and recommended board layout. These documents are available at www.ti.com <<http://www.ti.com>>.
 - Laser cutting apertures with trapezoidal walls and also rounding corners will offer better paste release. Customers should contact their board assembly site for stencil design recommendations. Refer to IPC 7525 for stencil design considerations.
 - Customers should contact their board fabrication site for recommended solder mask tolerances and via tenting recommendations for vias placed in the thermal pad.

IMPORTANT NOTICE

Texas Instruments Incorporated and its subsidiaries (TI) reserve the right to make corrections, modifications, enhancements, improvements, and other changes to its products and services at any time and to discontinue any product or service without notice. Customers should obtain the latest relevant information before placing orders and should verify that such information is current and complete. All products are sold subject to TI's terms and conditions of sale supplied at the time of order acknowledgment.

TI warrants performance of its hardware products to the specifications applicable at the time of sale in accordance with TI's standard warranty. Testing and other quality control techniques are used to the extent TI deems necessary to support this warranty. Except where mandated by government requirements, testing of all parameters of each product is not necessarily performed.

TI assumes no liability for applications assistance or customer product design. Customers are responsible for their products and applications using TI components. To minimize the risks associated with customer products and applications, customers should provide adequate design and operating safeguards.

TI does not warrant or represent that any license, either express or implied, is granted under any TI patent right, copyright, mask work right, or other TI intellectual property right relating to any combination, machine, or process in which TI products or services are used. Information published by TI regarding third-party products or services does not constitute a license from TI to use such products or services or a warranty or endorsement thereof. Use of such information may require a license from a third party under the patents or other intellectual property of the third party, or a license from TI under the patents or other intellectual property of TI.

Reproduction of TI information in TI data books or data sheets is permissible only if reproduction is without alteration and is accompanied by all associated warranties, conditions, limitations, and notices. Reproduction of this information with alteration is an unfair and deceptive business practice. TI is not responsible or liable for such altered documentation. Information of third parties may be subject to additional restrictions.

Resale of TI products or services with statements different from or beyond the parameters stated by TI for that product or service voids all express and any implied warranties for the associated TI product or service and is an unfair and deceptive business practice. TI is not responsible or liable for any such statements.

TI products are not authorized for use in safety-critical applications (such as life support) where a failure of the TI product would reasonably be expected to cause severe personal injury or death, unless officers of the parties have executed an agreement specifically governing such use. Buyers represent that they have all necessary expertise in the safety and regulatory ramifications of their applications, and acknowledge and agree that they are solely responsible for all legal, regulatory and safety-related requirements concerning their products and any use of TI products in such safety-critical applications, notwithstanding any applications-related information or support that may be provided by TI. Further, Buyers must fully indemnify TI and its representatives against any damages arising out of the use of TI products in such safety-critical applications.

TI products are neither designed nor intended for use in military/aerospace applications or environments unless the TI products are specifically designated by TI as military-grade or "enhanced plastic." Only products designated by TI as military-grade meet military specifications. Buyers acknowledge and agree that any such use of TI products which TI has not designated as military-grade is solely at the Buyer's risk, and that they are solely responsible for compliance with all legal and regulatory requirements in connection with such use.

TI products are neither designed nor intended for use in automotive applications or environments unless the specific TI products are designated by TI as compliant with ISO/TS 16949 requirements. Buyers acknowledge and agree that, if they use any non-designated products in automotive applications, TI will not be responsible for any failure to meet such requirements.

Following are URLs where you can obtain information on other Texas Instruments products and application solutions:

Products

Audio	www.ti.com/audio
Amplifiers	amplifier.ti.com
Data Converters	dataconverter.ti.com
DLP® Products	www.dlp.com
DSP	dsp.ti.com
Clocks and Timers	www.ti.com/clocks
Interface	interface.ti.com
Logic	logic.ti.com
Power Mgmt	power.ti.com
Microcontrollers	microcontroller.ti.com
RFID	www.ti-rfid.com
OMAP Mobile Processors	www.ti.com/omap
Wireless Connectivity	www.ti.com/wirelessconnectivity

Applications

Communications and Telecom	www.ti.com/communications
Computers and Peripherals	www.ti.com/computers
Consumer Electronics	www.ti.com/consumer-apps
Energy and Lighting	www.ti.com/energy
Industrial	www.ti.com/industrial
Medical	www.ti.com/medical
Security	www.ti.com/security
Space, Avionics and Defense	www.ti.com/space-avionics-defense
Transportation and Automotive	www.ti.com/automotive
Video and Imaging	www.ti.com/video

TI E2E Community Home Page

e2e.ti.com

Mailing Address: Texas Instruments, Post Office Box 655303, Dallas, Texas 75265
Copyright © 2011, Texas Instruments Incorporated